

# RGBW/RGB/CCT/Dimming 4 Channel LED RF Controller

Model No.: V4-S

4 Channels/Push Dim/Wireless remote control/Auto-transmitting/Synchronize/Wall junction box mounting

## Features

- RF + Push LED controller, 4 channel constant voltage output.
- Set as single color, dual color, RGB or RGBW controller by DIP switch.
- Match with Skydance's 2.4G single color, dual color and RGB/RGBW remote control.
- One RF controller accept up to 10 remote control.
- 4096 levels 0-100% dimming smoothly without any flash.
- When using with RGB/RGBW light, built in 10 dynamic mode, include jump or gradual change style.
- Auto-transmitting function: Controller automatically transmit signal to another controller with 30m control distance.
- Synchronize on multiple number of controllers.
- Connect with external push switch to achieve on/off and 0-100% dimming function.
- Easy to be placed in standard wall junction box behind a push switch.



FC CE RoHS LVD RED

## Technical Parameters

| Input and Output |                  |
|------------------|------------------|
| Input voltage    | 12-24VDC         |
| Input current    | 12.5A            |
| Output voltage   | 4 x (12-24)VDC   |
| Output current   | 4CH,3A/CH        |
| Output power     | 4 x (36-72)W     |
| Output type      | Constant voltage |

| Dimming data       |                         |
|--------------------|-------------------------|
| Input signal       | RF 2.4GHz + Push Dim    |
| Control distance   | 30m(Barrier-free space) |
| Dimming gray scale | 4096 (2^12) levels      |
| Dimming range      | 0-100%                  |
| Dimming curve      | Logarithmic             |

| Safety and EMC       |                    |
|----------------------|--------------------|
| EMC standard (EMC)   | EN301 489,EN 62479 |
| Safety standard(LVD) | EN60950            |
| Radio Equipment(RED) | EN300 328          |
| Certification        | CE,EMC,LVD,RED     |

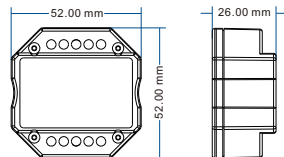
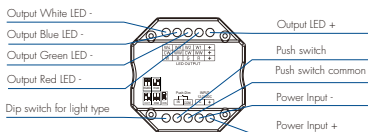
  

| Environment             |                   |
|-------------------------|-------------------|
| Operation temperature   | Ta: -30°C ~ +55°C |
| Case temperature (Max.) | Tc: +85°C         |
| IP rating               | IP20              |

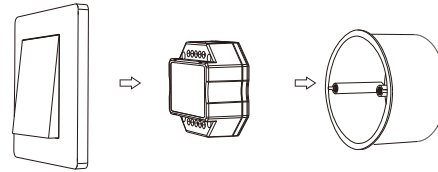
  

| Warranty and Protection |                  |
|-------------------------|------------------|
| Warranty                | 5 years          |
| Protection              | Reverse Polarity |

## Mechanical Structures and Installations

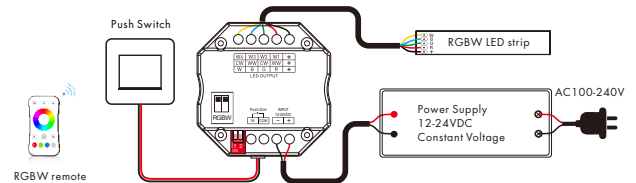


## Typical Wall Junction Box Mounting

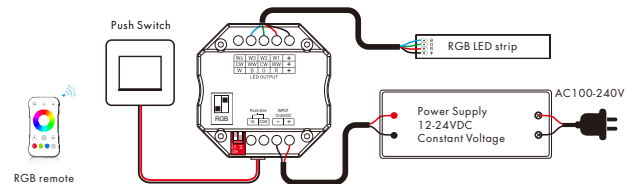


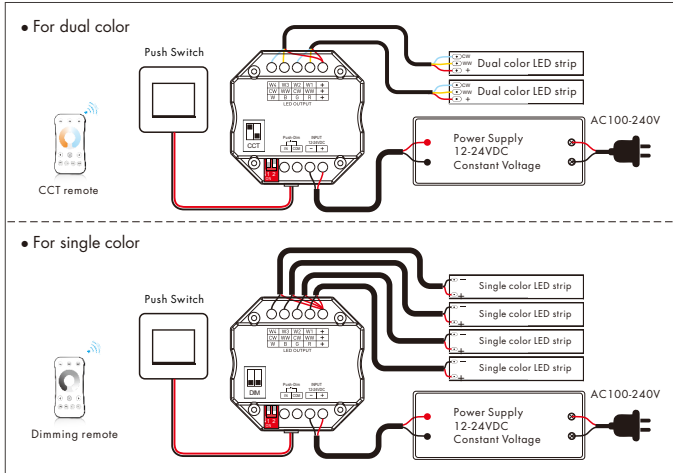
## Wiring Diagram

### • For RGBW



### • For RGB





**Push Dim**

|              |                          |  |
|--------------|--------------------------|--|
| Single color | Click                    | ON/OFF   |
|              | Double Click             | Turn on at 100% or 10%(night light) and vice-versa   |
|              | Long press(>1s) from OFF | Dimming UP/DOWN  |
|              | Long press(>1s) from ON  | Dimming UP/DOWN  |
| Dual Color   | Click                    | ON/OFF   |
|              | Double Click             | Turn on at 100% or 10%(night light) and vice-versa   |
|              | Long press(>1s) from OFF | Color temperature UP/DOWN (turn off and turn on to return dimming)                                 |
|              | Long press(>1s) from ON  | Dimming UP/DOWN  |
| RGB          | Click                    | ON/OFF   |
|              | Double Click             | Change from color mode to white mode (RGB mixed) and vice-versa                                    |
|              | Long press(>1s) from OFF | If on color mode change rotation speed;<br>If on white mode dimming UP/DOWN                        |
|              | Long press(>1s) from ON  | If on color mode start/stop color rotation;<br>If on white mode dimming UP/DOWN                    |
| RGBW         | Click                    | ON/OFF   |
|              | Double Click             | Change between color mode, white mode (W channel) and color+W mode                                 |
|              | Long press(>1s) from OFF | If on color mode change rotation speed;<br>If on white mode or color+W mode, W dimming UP/DOWN     |
|              | Long press(>1s) from ON  | If on color mode start/stop color rotation;<br>If on white mode or color+W mode, W dimming UP/DOWN |



We can select 4 rotation speed:  
 10 flash/s means 6 seconds color rotation, 5 flash/s means 30 seconds color rotation,  
 2 flash/s means 1 minute color rotation, 1 flash/s means 6 minutes color rotation.

**Match Remote Control (two match ways)**

End user can choose the suitable match/delete ways. Two options are offered for selection:

**Use the controller's DIP switch**

Match:  
 Change DIP switch setting, immediately short press on/off key (single zone remote) or zone key (multiple zone remote) of the remote.

**Use Power Restart**

Match:  
 Switch off the power, then switch on power again, immediately short press on/off key (single zone remote) or zone key (multiple zone remote) 3 times on the remote. The light blinks 3 times means match is successful.

Delete:  
 Switch off the power, then switch on power again, immediately short press on/off key (single zone remote) or zone key (multiple zone remote) 5 times on the remote. The light blinks 5 times means all matched remotes were deleted.

**RGB/RGBW dynamic mode list**

| No. | Name                      | No. | Name                  |
|-----|---------------------------|-----|-----------------------|
| 1   | RGB jump                  | 6   | RGB fade in and out   |
| 2   | RGB smooth                | 7   | Red fade in and out   |
| 3   | 6 color jump              | 8   | Green fade in and out |
| 4   | 6 color smooth            | 9   | Blue fade in and out  |
| 5   | Yellow cyan purple smooth | 10  | White fade in and out |

**Dual color control**

CH1, CH3=Warm white LED  
 CH2, CH4=Cool white LED  
 Each channel can supply up to 16W@24V and white balance can be controlled as such:

| Color temperature  | Cool white                       | Neutral white                      | Warm white                       |
|--------------------|----------------------------------|------------------------------------|----------------------------------|
| Power distribution | CH1=0W,CH2=72W<br>CH3=0W,CH4=72W | CH1=36W,CH2=36W<br>CH3=36W,CH4=36W | CH1=72W,CH2=0W<br>CH3=72W,CH4=0W |

