

Rotary Panel RF Remote Controller

Model No.: PK1, PK2, PK3



Rotary dimming/1-3 color/Wireless remote 30m distance/CR2032 battery



PK1
1 Zone Dimming



PK2
1 Zone CCT



PK3
1 Zone RGB

CE RoHS LVD RED

Features

- Apply to single color, dual color or RGB LED controller.
- Rotate knob to change RGB color, color temperature or brightness, support long press or twice click operation.
- Each remote can match one or more receiver.
- CR2032 battery powered.
- Removeable and stick anywhere easily, or mount on wall use panel base.

Technical Parameters

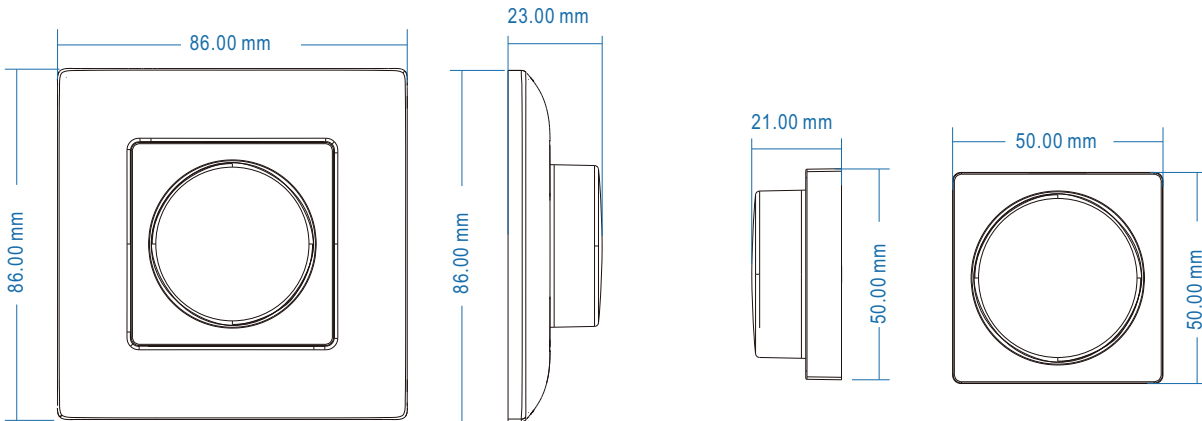
Input and Output	
Output signal	RF(2.4GHz)
Working voltage	3VDC(CR2032)
Working current	< 5mA
Standby current	< 10μA
Standby time	1 year
Remote distance	30m

Warranty	
Warranty	5 years

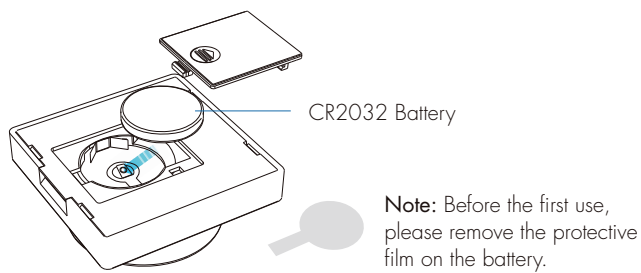
Safety and EMC	
EMC standard (EMC)	EN301 489,EN 62479
Safety standard(LVD)	EN60950
Radio Equipment(RED)	EN300 328
Certification	CE,EMC,LVD,RED

Environment	
Operation temperature	Ta: -30 °C ~ +55 °C
Case temperature (Max.)	Tc: +85 °C
IP rating	IP20

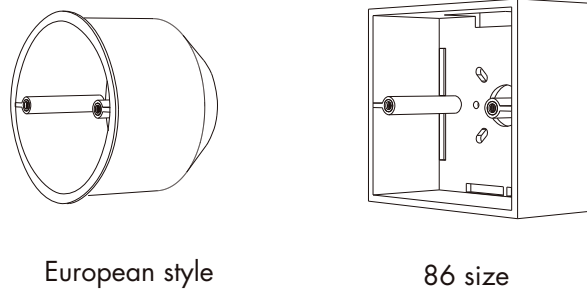
Mechanical Structures and Installations



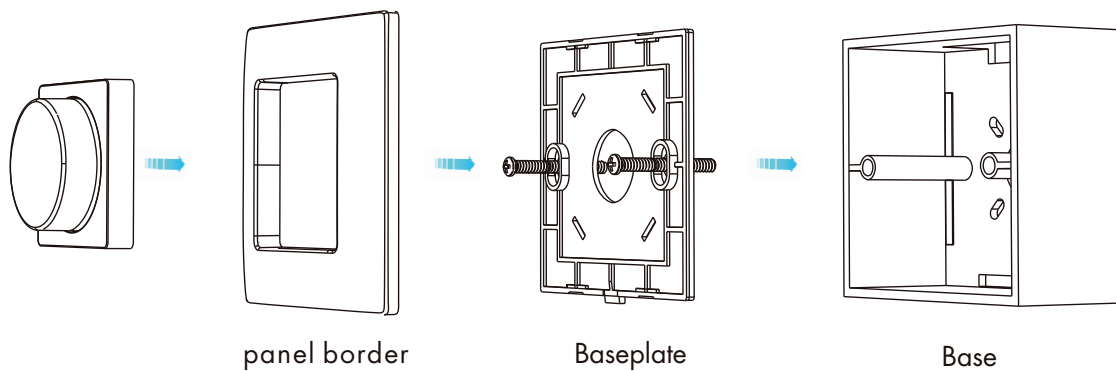
Replace battery:



Typical base as below:



Installation diagram:



To fix the panel, two options are offered for selection:

Option 1: fix it on the wall with two screws.

Option 2: adhere it to the wall with paster.

Knob function

PK1 Single color dimming remote

- Push: Turn on or off light.

After turn on light:

- Rotate: Rotate knob to adjust brightness(2.5 turns, 50 levels).
- Long push(1-6s): Continuous 256 levels brightness adjustment.

PK2 Color temperature remote

- Push: Turn on or off light.

After turn on light:

- Rotate: Rotate knob to change color temperature or brightness (2.5 turns, 50 levels).
- Push twice: Switch between color temperature or brightness adjustment.
- Long push(1-6s): Continuous 256 levels brightness adjustment.

PK3 RGB remote

- Push: Turn on or off light.

After turn on light:

- Rotate: Rotate knob to change RGB color (3 turns, 60 colors) or brightness (2.5 turns, 50 levels).
- Push twice: Switch between RGB color or brightness adjustment.
- Long push(1-6s): Continuous 256 levels brightness adjustment.

Match Remote Control (two match ways)

End user can choose the suitable match/delete ways. Two options are offered for selection:

Use the controller's Match key

Match:

Short press match key, immediately push the knob.

Delete:

Press and hold match key for 5s to delete all match, The light blinks 5 times means all matched remotes were deleted.

Use Power Restart

Match:

Switch off the power, then switch on power again, immediately push the knob 3 times. The light blinks 3 times means match is successful.

Delete:

Switch off the power, then switch on power again, immediately push the knob 5 times. The light blinks 5 times means all matched remotes were deleted.

Safety information

1. Read all instructions carefully before you begin this installation.
2. When installing battery, pay attention to the battery positive and negative polarity.
A long time without the remote control, remove the battery.
When remote distance becomes smaller and insensitive, replace the battery.
3. If no response from the receiver, please re-match the remote.
4. Gently handle remote, beware of falling.
5. For indoor and dry location use only.