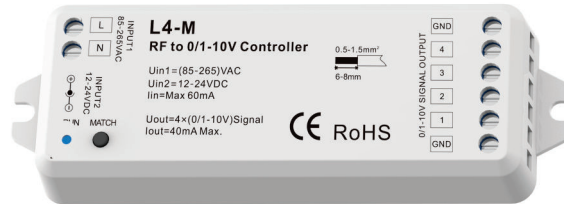


RF to 4 Channel 0-10V LED Dimmer



Model No.: L4-M

AC or DC input/4 channel 0-10V signal output/Wireless remote control



FC CE RoHS emc LVD RED

Features

- RF to 4 channel 0-10V converter, powered by AC or DC input.
- Output 4 channel 0-10V signal, connect with 0/1-10V dimmable driver.
- Match with Skydance's 2.4G single color, dual color and RGB/RGBW remote control.
- One RF controller accept up to 10 remote control.
- Auto-transmitting function: Controller automatically transmit signal to another controller with 30m control distance.
- Synchronize on multiple number of controllers.

Technical Parameters

Input and Output	
Input voltage	85-265VAC 12-24VDC
Output signal	4 x (0-10)VDC
Output current	4CH, 20mA/CH

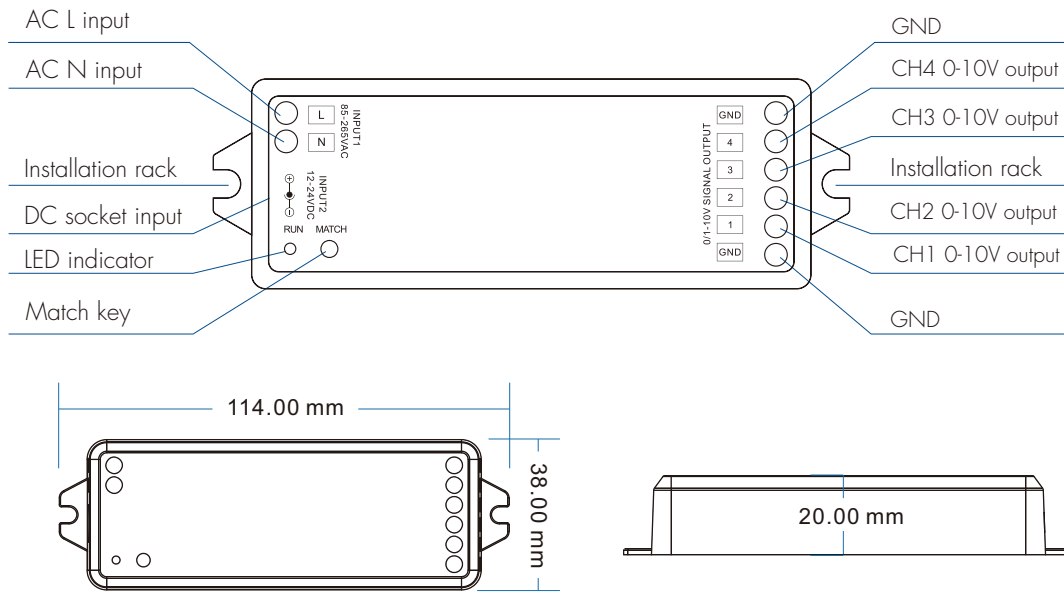
Safety and EMC	
EMC standard (EMC)	EN301 489, EN 62479
Safety standard (LVD)	EN60950
Radio Equipment (RED)	EN300 328
Certification	CE, EMC, LVD, RED

Dimming data	
Input signal	RF 2.4GHz
Control distance	30m
Dimming range	0-100%
Dimming curve	Linear

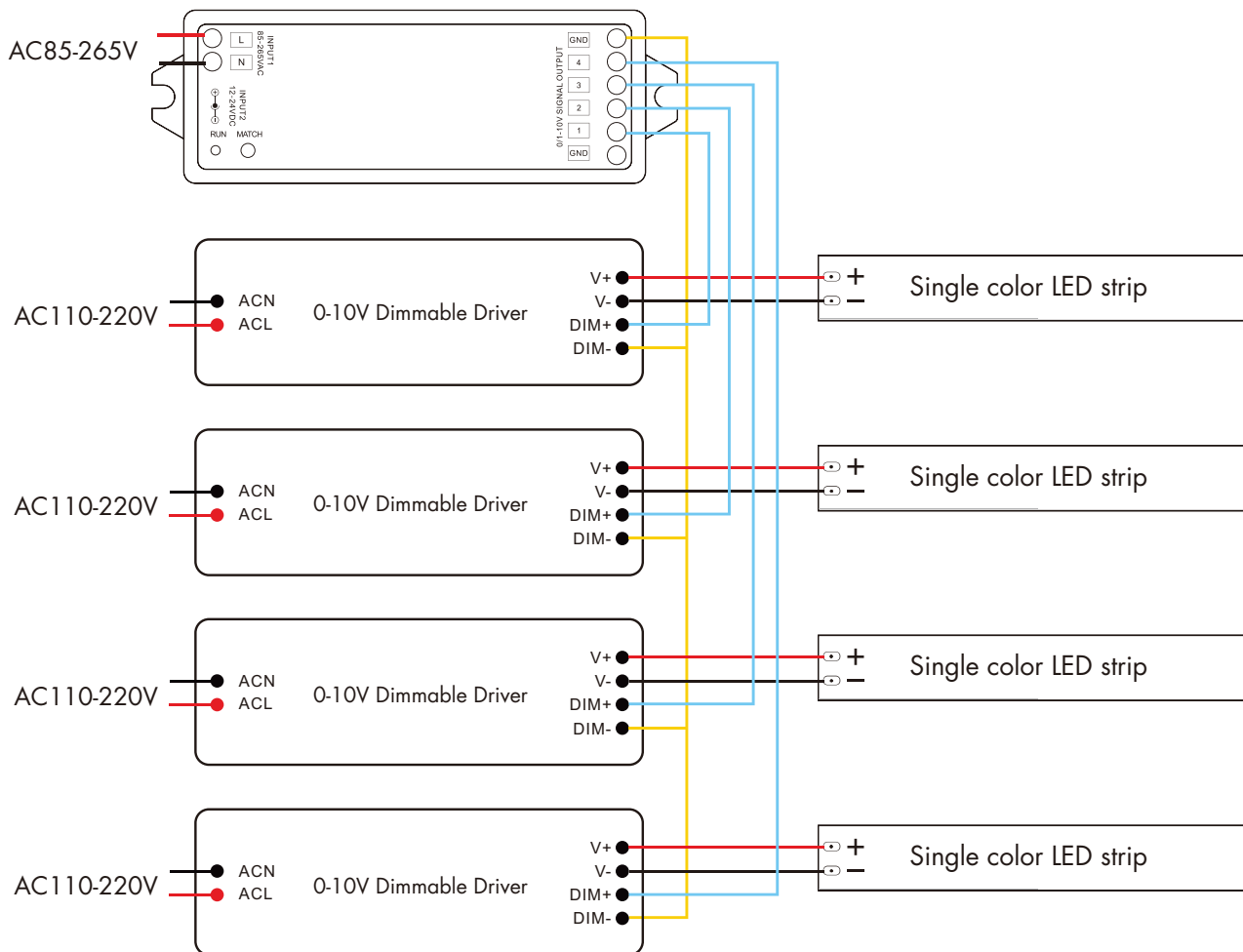
Environment	
Operation temperature	Ta: -30 °C ~ +55 °C
Case temperature (Max.)	Tc: +85 °C
IP rating	IP20

Warranty and Protection	
Warranty	5 years

Mechanical Structures and Installations



Wiring Diagram



Note: We recommend the number of LED drivers connected to each 0/1-10V output does not exceed 5 pieces, The maximum length of the wires from dimmer to LED driver should be no more than 15 meters.

Match Remote Control (two match ways)

End user can choose the suitable match/delete ways. Two options are offered for selection:

Use the controller's Match key

Match:

Short press match key, immediately press on/off key (single zone remote) or zone key (multiple zone remote) of the remote.

Delete:

Press and hold match key for 5s to delete all match, The light blinks 5 times means all matched remotes were deleted.

Use Power Restart

Match:

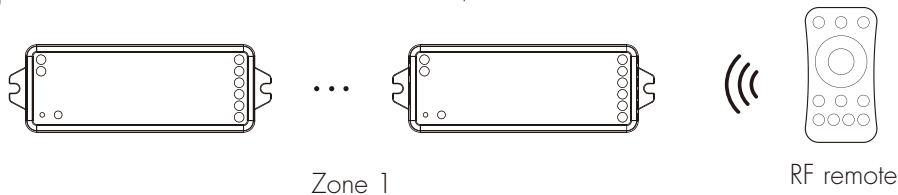
Switch off the power, then switch on power again, immediately short press on/off key (single zone remote) or zone key (multiple zone remote) 3 times on the remote. The light blinks 3 times means match is successful.

Delete:

Switch off the power, then switch on power again, immediately short press on/off key (single zone remote) or zone key (multiple zone remote) 5 times on the remote. The light blinks 5 times means all matched remotes were deleted.

If you use multiple receivers, you have two choices:

Option 1: all the receivers in the same zone, like zone 1.



Option 2: each receiver(one or more) in a different zone, like zone 1, 2, 3 or 4.

