

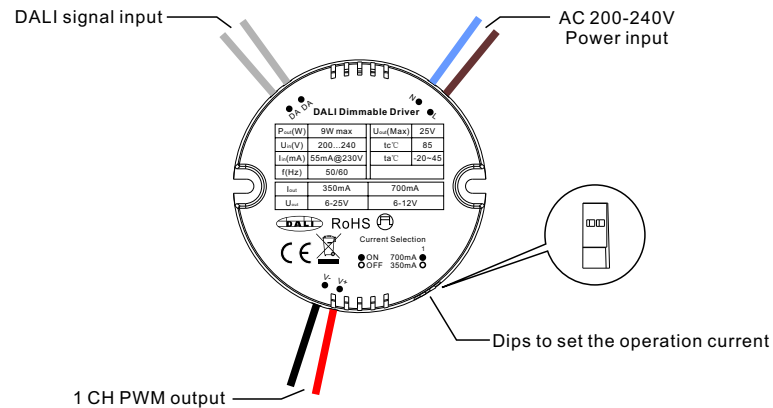
9W DALI LED Driver (Constant current)

09.23059W.04752



Important: Read All Instructions Prior to Installation

Function introduction



Product Data

Output	Current	350mA	700mA
	DC Voltage Range	6-25V DC	6-12V DC
	Rated Power	9W	9W
Input	Voltage Range	200-240V AC	
	Frequency	50/60Hz	
	Power Factor (Typ.)	> 0.9	
	Efficiency (Typ.)	80% @ 230VAC	
	Input Current	0.05A @ 230VAC	
	Inrush Current (Typ.)	COLD START Max. 2A @ 230VAC	
Protection	Short Circuit	Yes, auto recovery after fault removed	
	Over Voltage	Yes, auto recovery after fault removed	
	Over Temperature	Yes, auto recovery after fault removed	
Environment	Working Temp.	-20°C ~ +45°C	
	Max. Case Temp.	85°C	
	Working Humidity	10% ~ 95% RH non-condensing	
	Storage Temp. & Humidity	-40°C ~ +80°C, 10% ~ 95% RH	

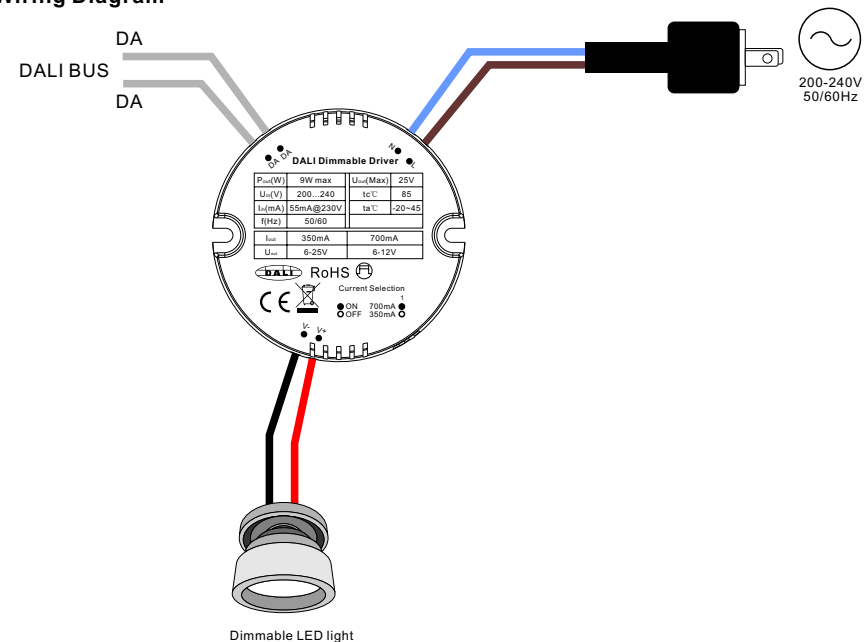
Safety&EMC	Safety Standards	EN61347-1, EN61347-2-13
	Withstand Voltage	I/P-O/P: 3.75KVAC
	EMC Emission	EN55015, EN61000-3-2, EN61000-3-3
	EMC Immunity	EN61547, EN61000-4-2,3,4,5,6,8,11, surge immunity Line-Line 0.5KV
Others	MTBF	193.6K hrs min. @ 230VAC at full load and 25°C ambient temperature
	Dimension	Φ57*24 mm (Φ*H)

- Dimmable LED driver
- Max. output power 9W
- 1 channel 350/700mA constant current output
- Class II power supply, full isolated plastic case
- High power factor and efficiency
- To switch and dim single color LED lighting
- Built-in DALI interface, DALI DT6 device
- Compatible with universal DALI masters that support DT6 commands
- Error report function
- IP20 rating
- Suitable for indoor LED lighting applications
- 5 years warranty

Safety & Warnings

- DO NOT install with power applied to device.
- DO NOT expose the device to moisture.

Wiring Diagram



Operation

DALI Address

1 DALI addresses for 1 channel output is assigned by DALI Master controller automatically, please refer to user manuals of compatible DALI Masters for specific operations.

Dimension

