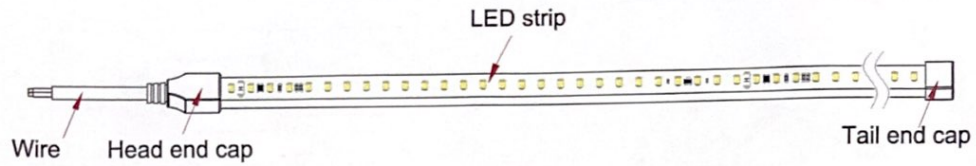


## 1. Product information

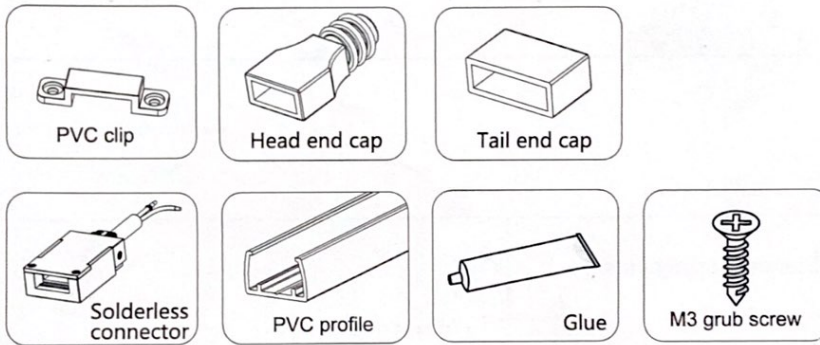
### 1.1 Product drawing



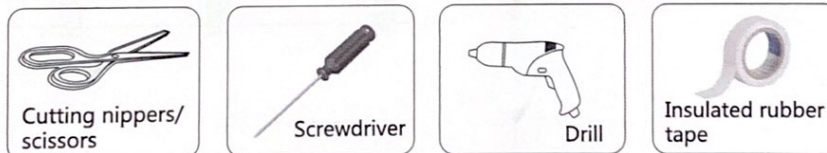
Please refer to specifications for more details

## 2. Installation accessory (Ordered separately by customers )

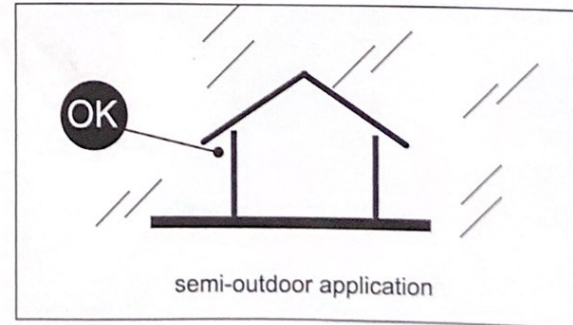
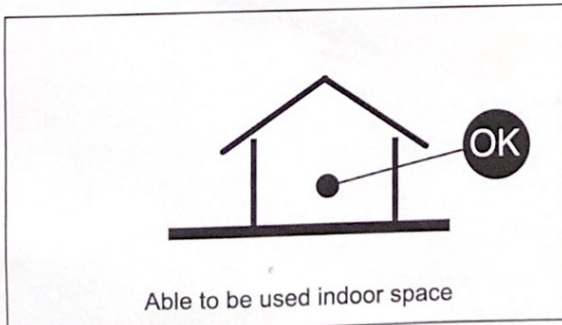
### 2.1 Ordering- accessory (additional purchase)

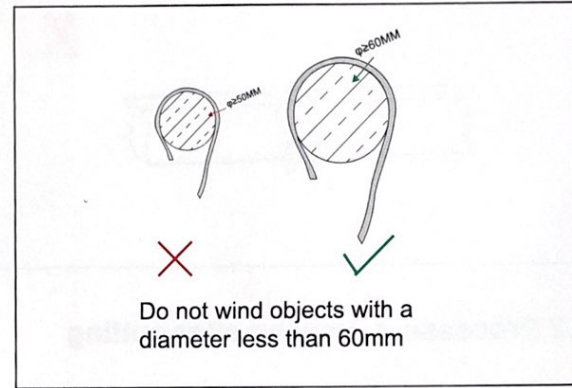
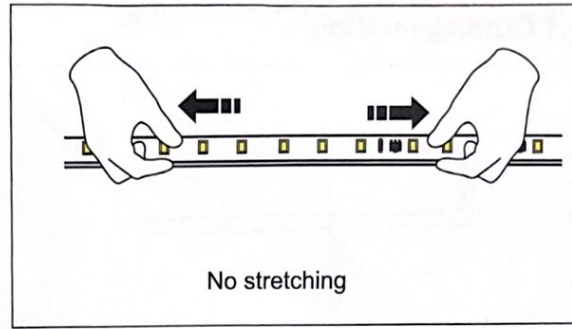
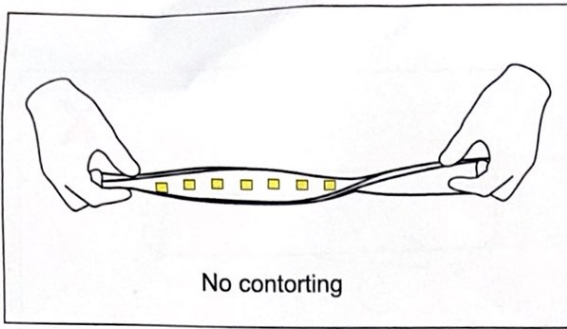


### 2.2 Self-provided tools

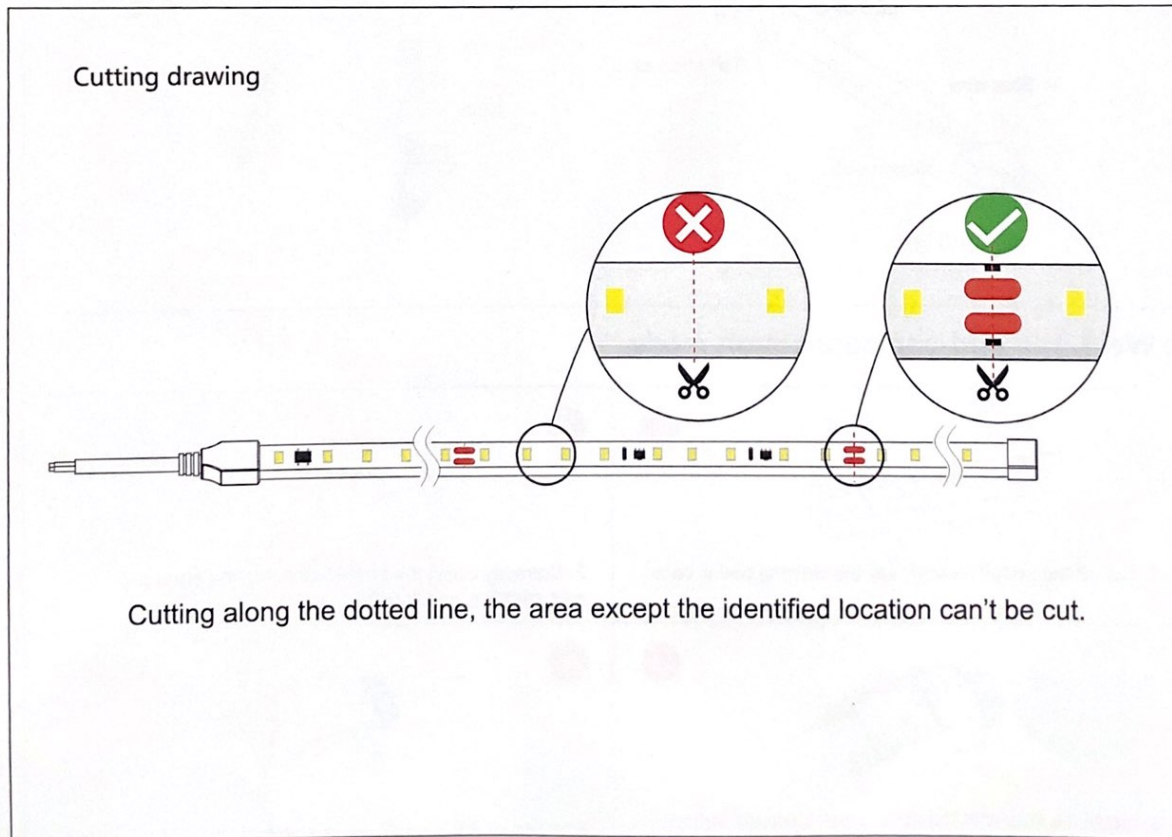


## 3. Precautions before installation



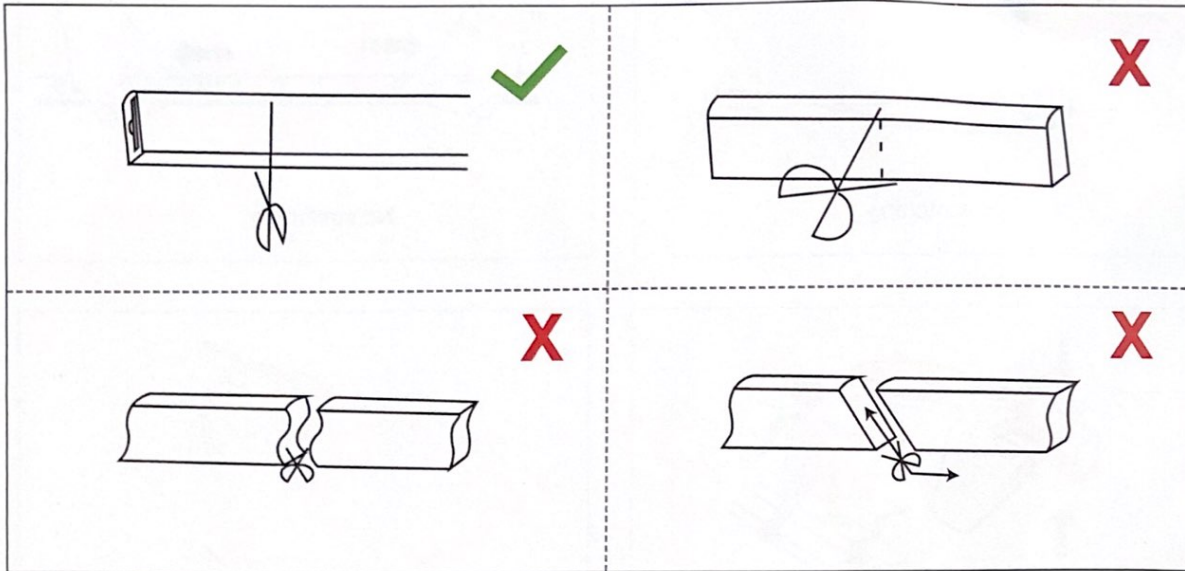


#### 4. cutting and connection instruction



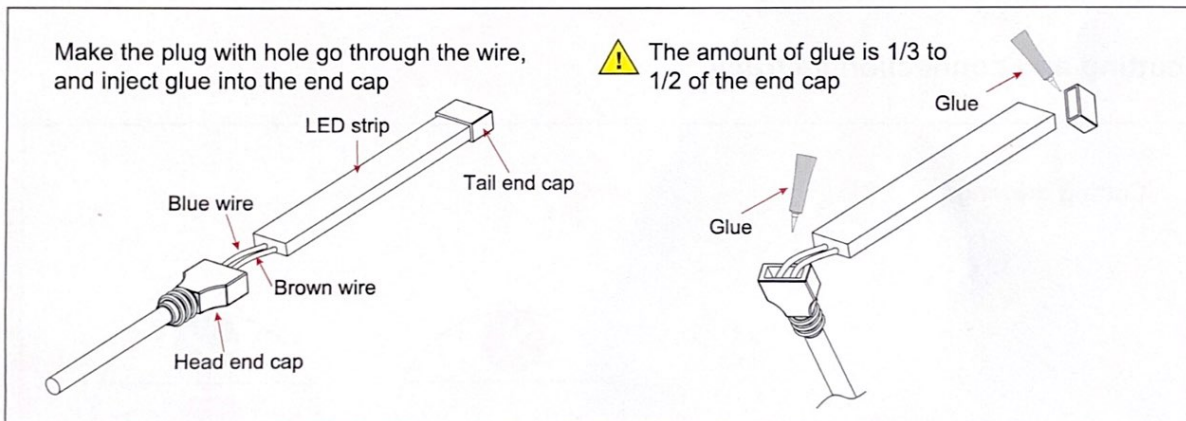


## 4.1 Cutting method

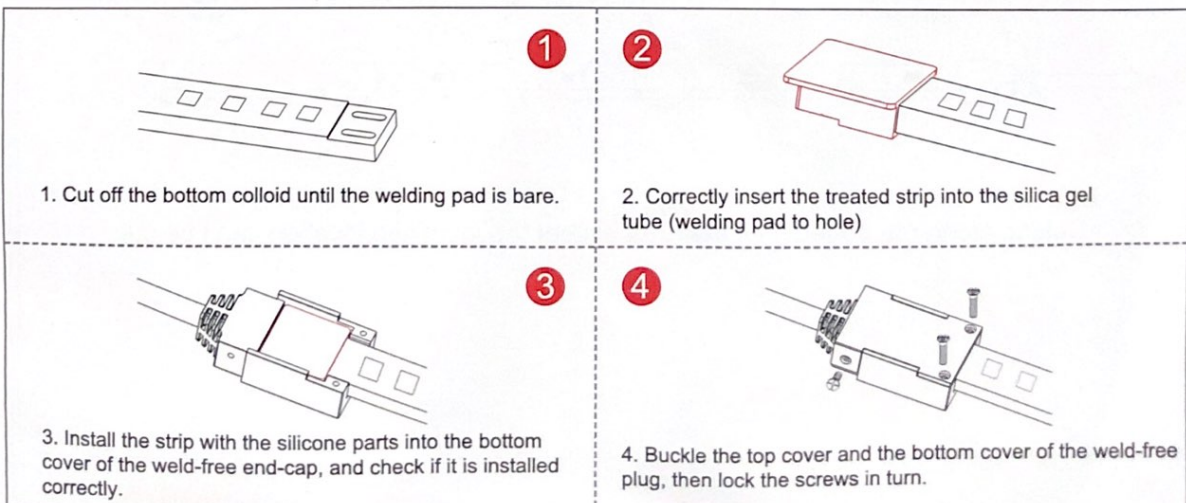


## 4.2 Processing drawing after cutting

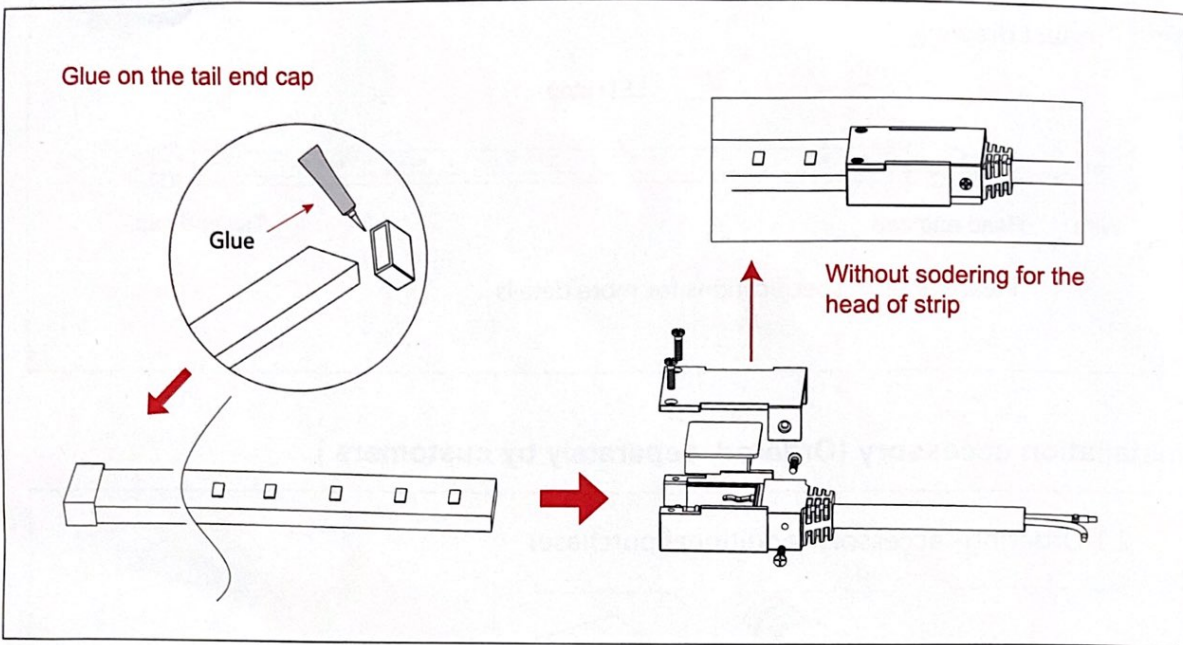
### A: Soldering gluing



### B: Weld-free end-cap connection mode

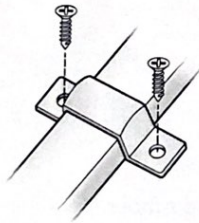


## C: Solderless connector

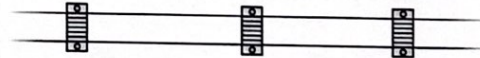


### 5.1 Clip installation

(1) Installation steps (Standard configuration)



**1** Fasten the LED strip with screws

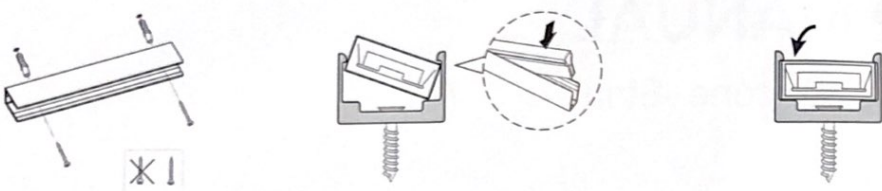


**2** No less than 4 mounting clips per meter



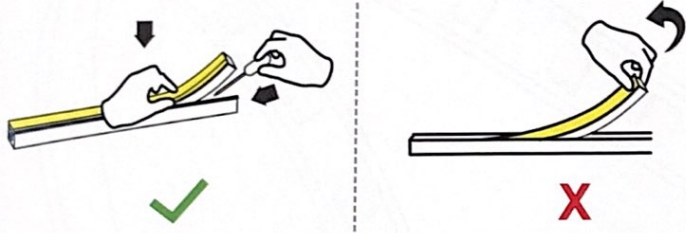
## 5.2 Carrier installation

Installation steps (additional purchase)

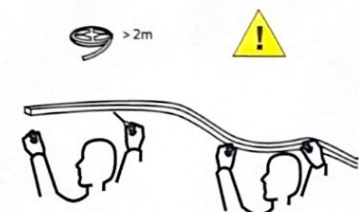


- 1 Fasten the mounting clip
- 2 Place the LED strip into the mounting clip
- 3 Press hard on the LED strip

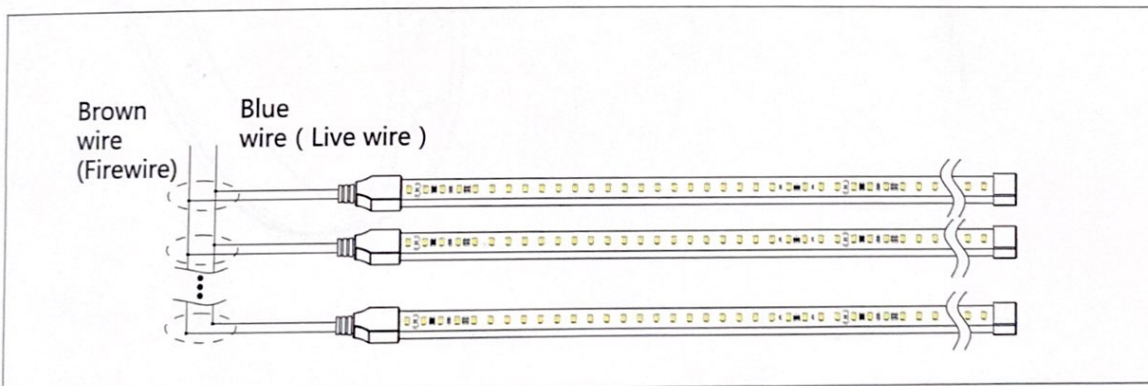
Use tool to disassemble carefully, and do not pull the LED strip directly.



If the length of LED strip is over 2m, it is recommended to disassemble by two persons.



## 6. Wiring diagram



## Notices

1. Risk of electric shock, non-professionals are not allowed to operate the product, if the LED strip is damaged, the product must be replaced.
2. Make sure the supply voltage meets the requirements and the circuit is installed correctly before power supply.
3. Make sure the electric connection reliable and be well protected.
4. Cut off the power before operating the product.
5. Forbidden to use in water.