

INSTALLATION MANUAL

65746B

ecolight



ADJUSTABLE

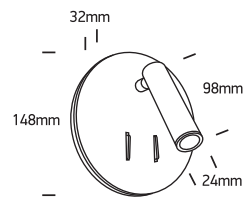


NOT DIMMABLE

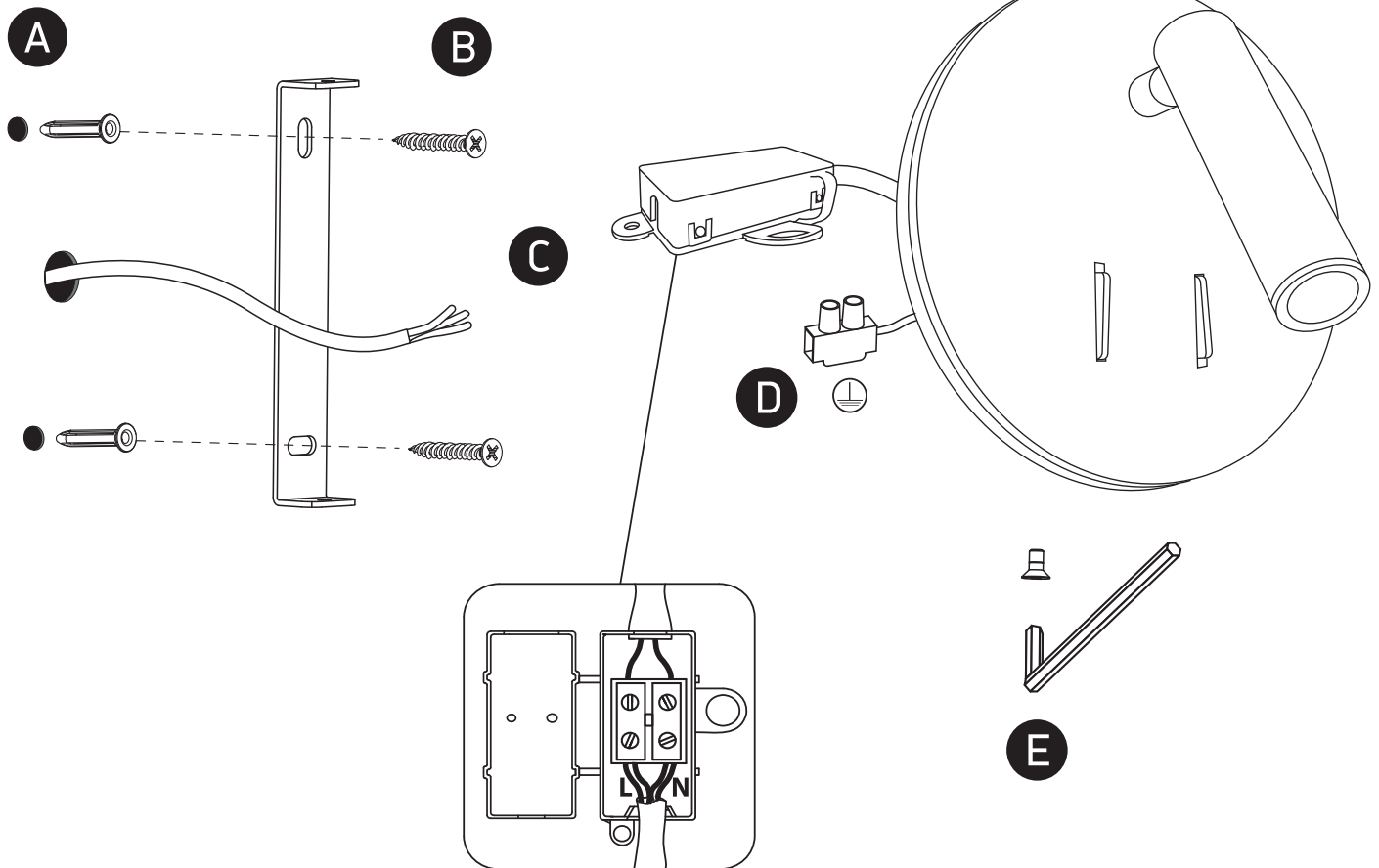
100-240V | 3W + 5W Back Light | IP20 | Aluminium

Complete with driver.

80
CRI



one
LIGHT



Warnings:

1. Make sure that the product is installed properly before connecting to electricity.
2. Do not cover the fitting.
3. Maintenance and installation should only be carried out by a professional electrician.