

# INSTALLATION MANUAL

65740A

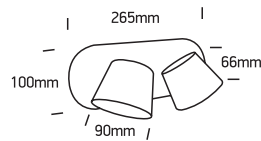
**ecolight**



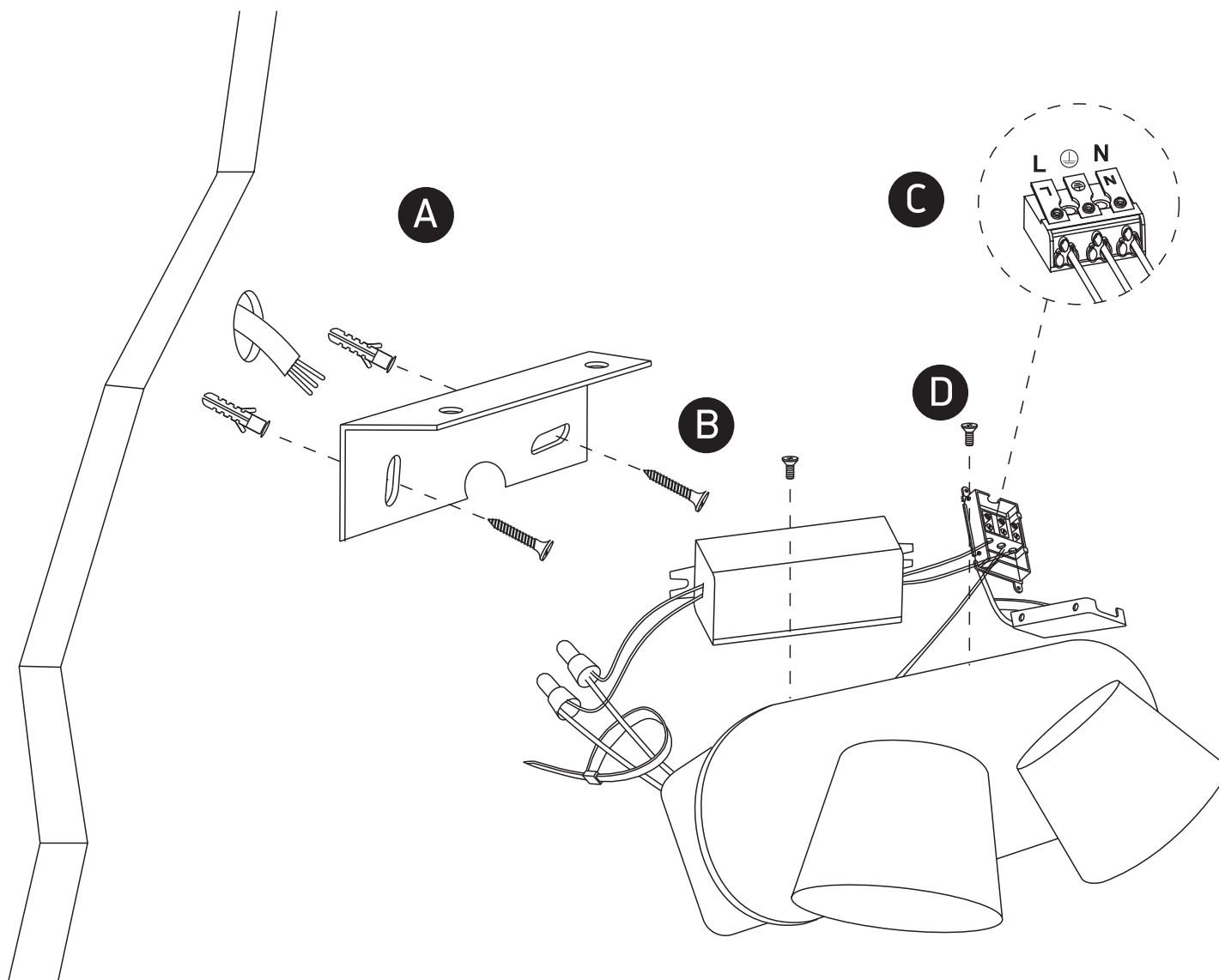
230V | SMD 2835 | 2x6W | IP20 | Aluminium

Complete with driver

80  
CRI



**one**  
LIGHT



## Warnings:

1. Make sure that the product is installed properly before connecting to electricity.
2. Do not cover the fitting.
3. Maintenance and installation should only be carried out by a professional electrician.