

# INSTALLATION MANUAL

38150B

**ecolight**



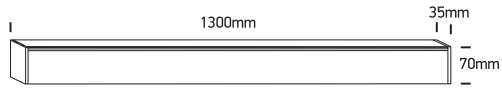
UGR17

80 CRI



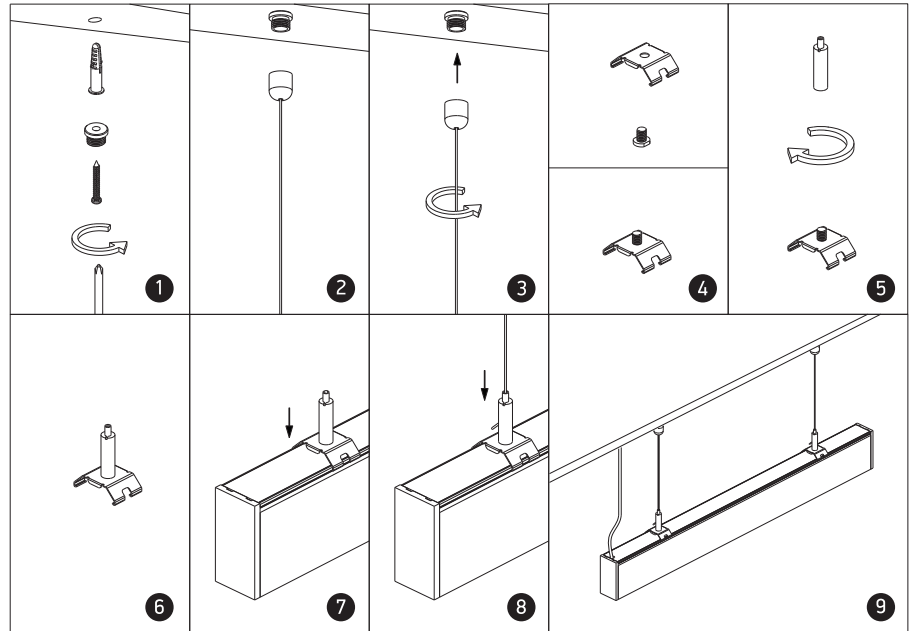
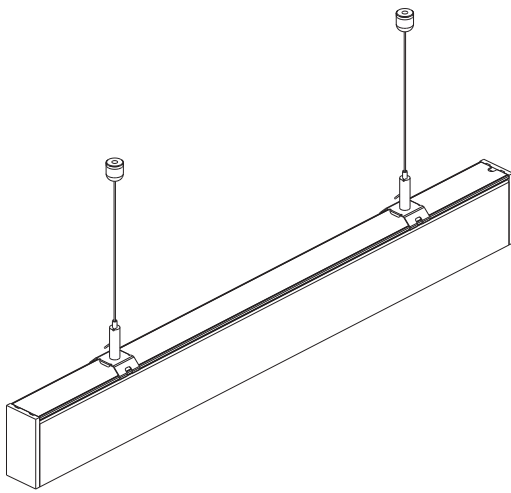
40W | LED | 230V | IP20 | Aluminium

Complete with driver

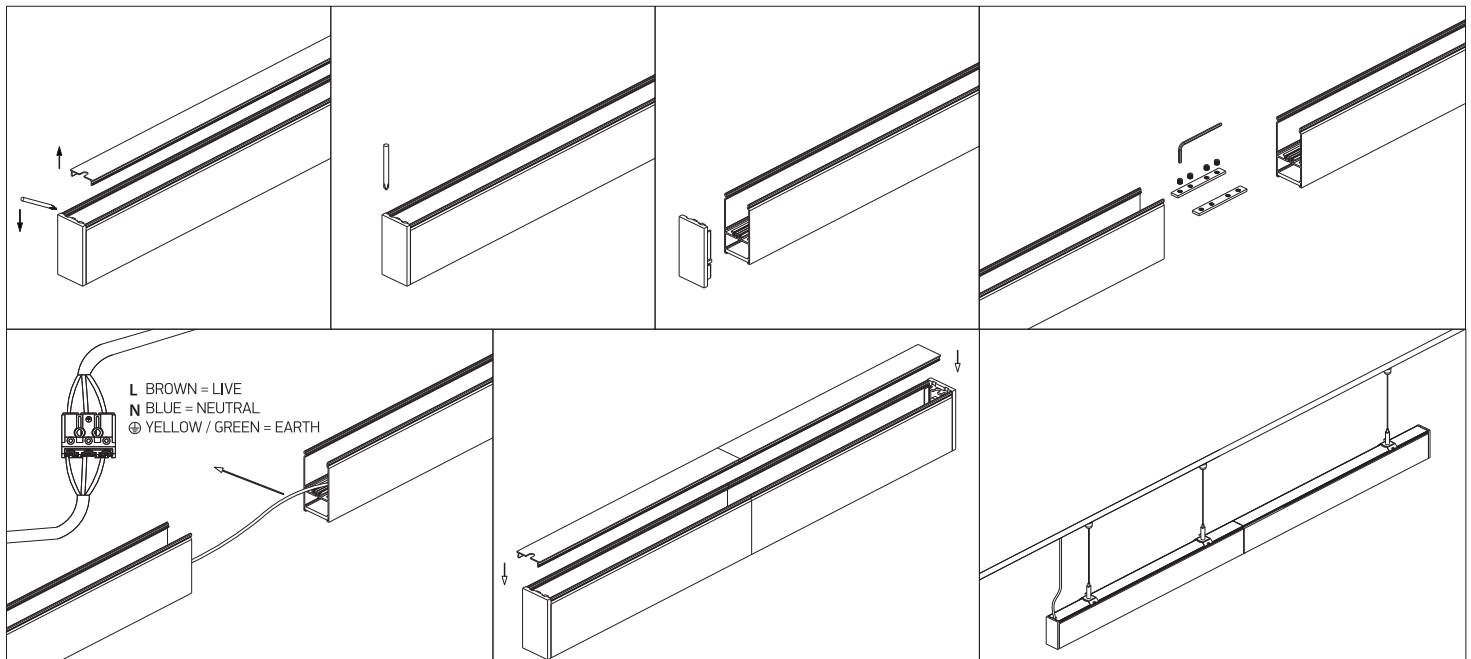


**one**  
LIGHT

## A INSTALLATION



## B CONNECTION



L BROWN = LIVE  
N BLUE = NEUTRAL  
⊕ YELLOW / GREEN = EARTH

### Warnings:

1. Make sure that the product is installed properly before connecting to electricity.
2. Do not cover the fitting.
3. Maintenance and installation should only be carried out by a professional electrician.