

INSTALLATION MANUAL

38150A, 38150C

ecolight



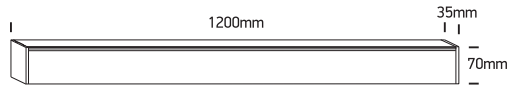
UGR19

80
CRI



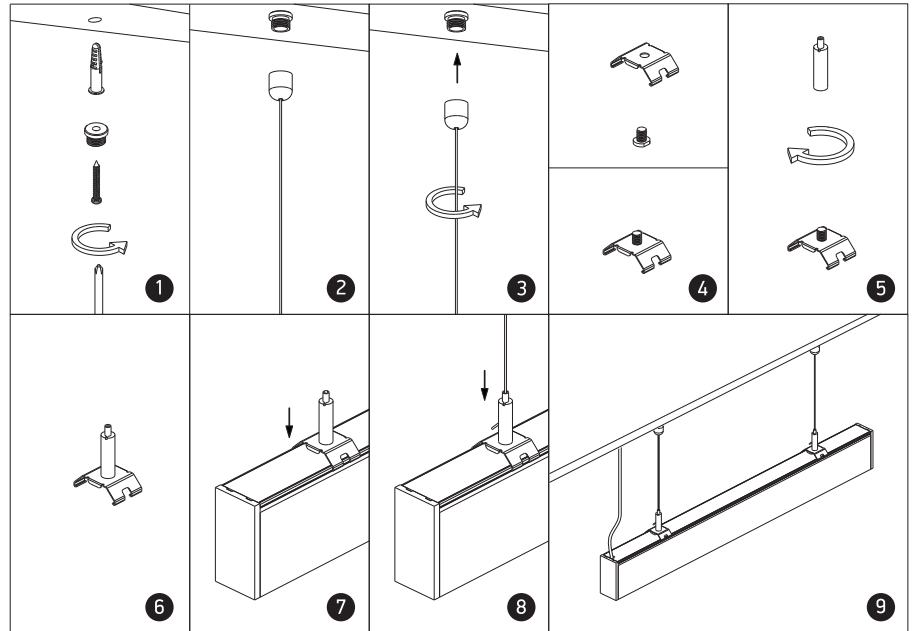
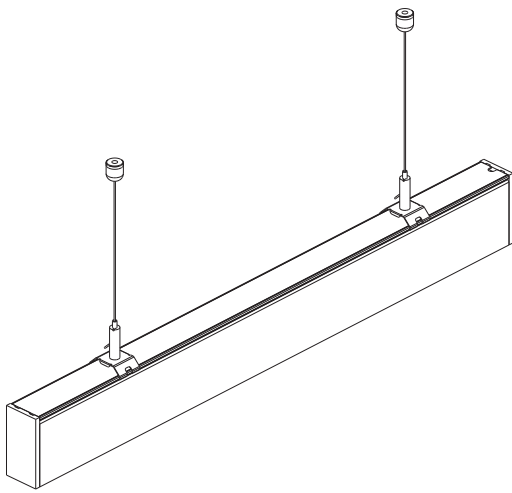
40W | LED | 230V | IP20 | Aluminium

Complete with driver

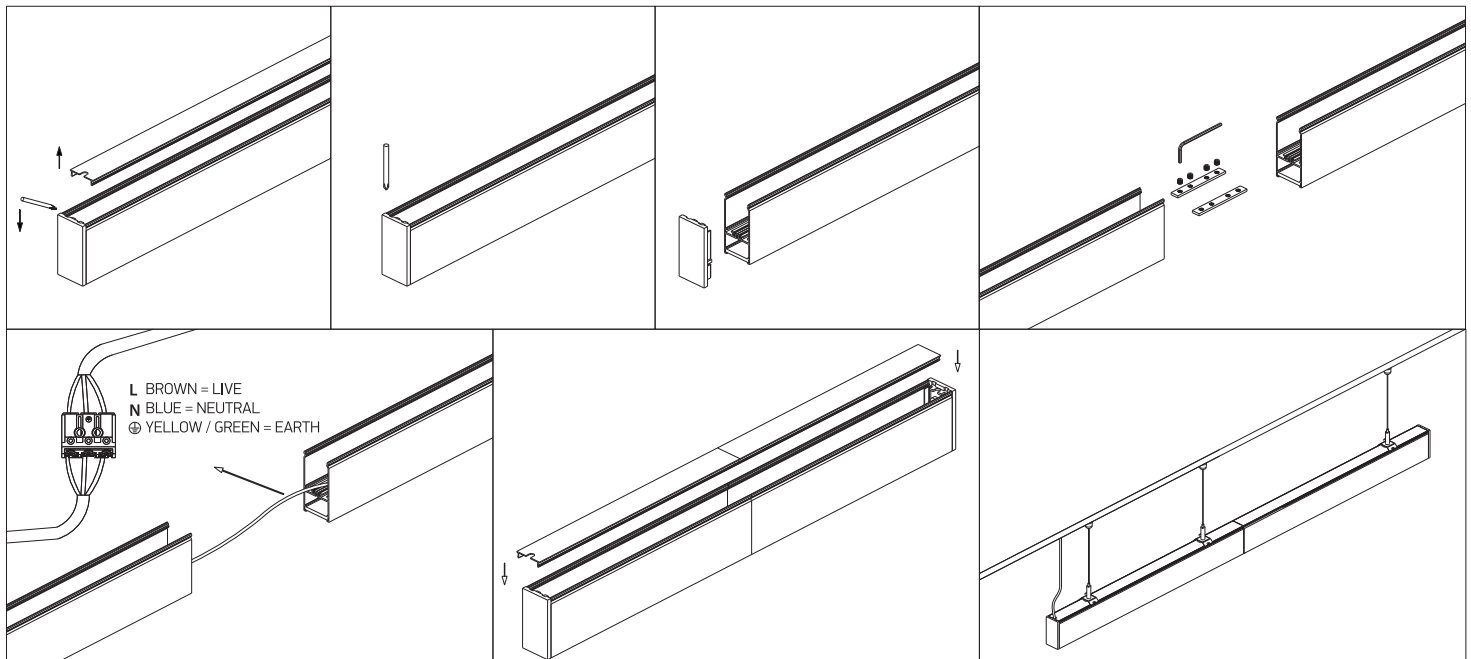


one
LIGHT

A INSTALLATION



B CONNECTION



L BROWN = LIVE
N BLUE = NEUTRAL
⊕ YELLOW / GREEN = EARTH

Warnings:

1. Make sure that the product is installed properly before connecting to electricity.
2. Do not cover the fitting.
3. Maintenance and installation should only be carried out by a professional electrician.