

INSTALLATION MANUAL

38114EL, 38121EL

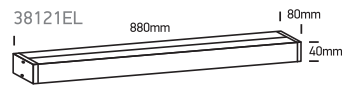
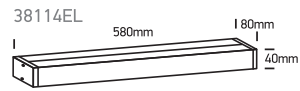
ecolight



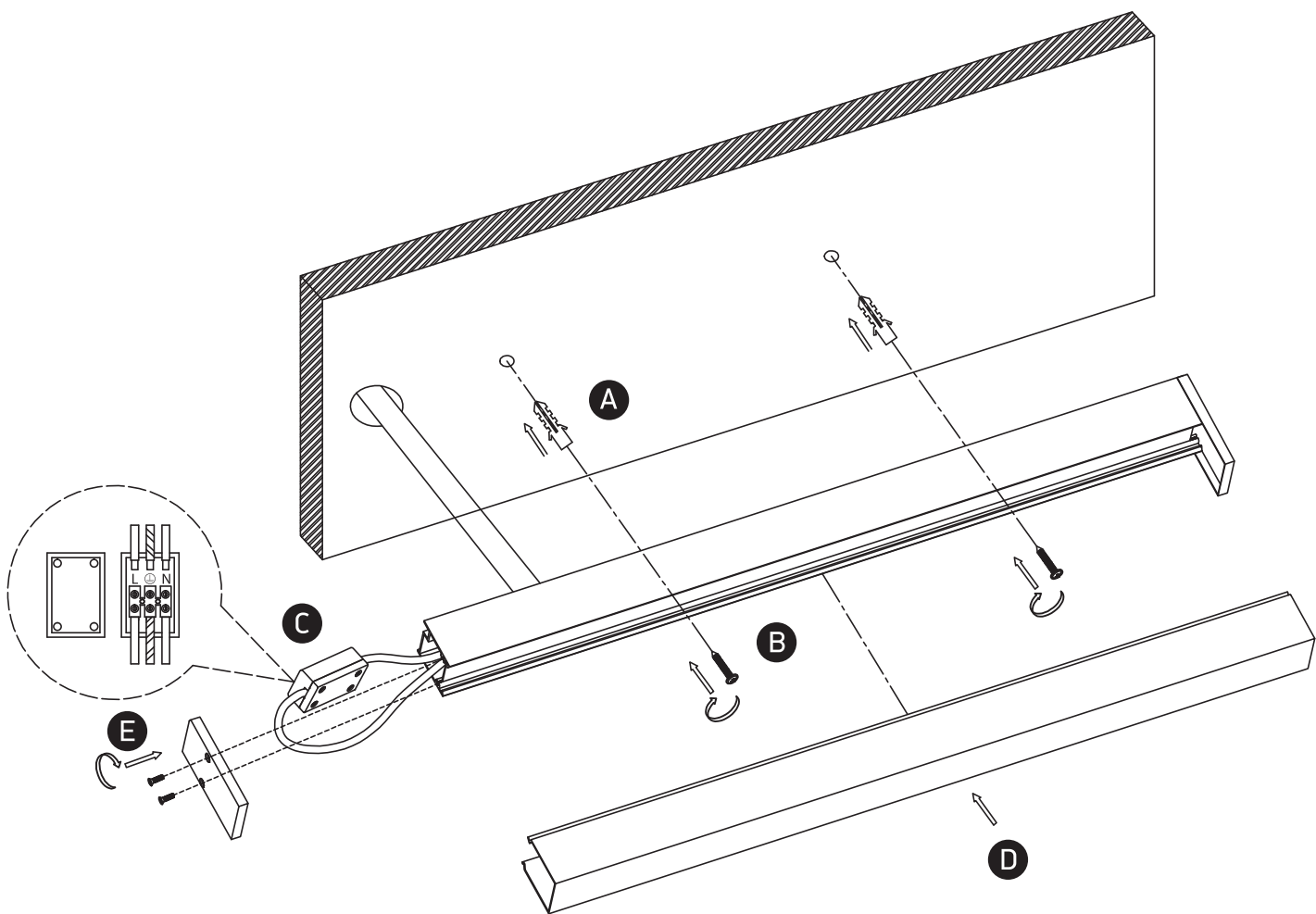
230V | SMD 2835 | 23W | 50/60Hz | IP44 | Die cast + acrylic

Complete with driver.

80
CRI



one
LIGHT



Warnings:

1. Make sure that the product is installed properly before connecting to electricity.
2. Do not cover the fitting.
3. Maintenance and installation should only be carried out by a professional electrician.