

RF wireless wall mounted RGB/W controller

SR-2820



Feature

- Touch sensitive
- Glass interface(white & black)
- Control 4 zones synchronously and separately
- Save up to 4 color/modes in each zone
- Wireless, can use together with SR-2818,SR-2819



Parameter

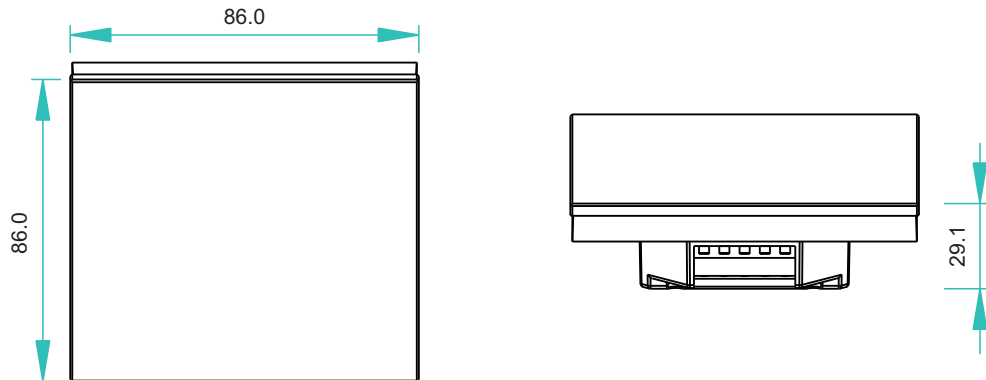
Remote

Part No.	Operation Voltage	Operation Frequency	DIMENSIONS ø/h (mm)	Remarks
SR-2820	12-24VDC/ 100-240VAC	434MHz/868MHz	86x86x29.1	Touch Sensor

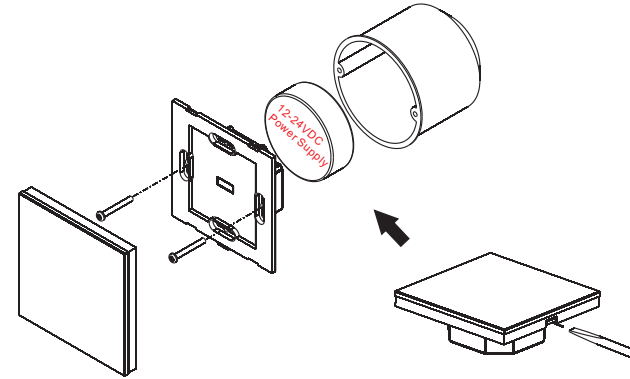
Receiver

Part No.	Input Voltage	Output Current	Output Power	Remarks
SR-1009FA	12-36VDC	4x5A	4x(60-180)W	Constant voltage
SR-1009EA	12-36VDC	4x8A	4x(96-288)W	Constant voltage
SR-1009FA3	12-36VDC	4x350mA	4x(4.2-12.6)W	Constant current
SR-1009FA7	12-36VDC	4x700mA	4x(8.4-25.2)W	Constant current

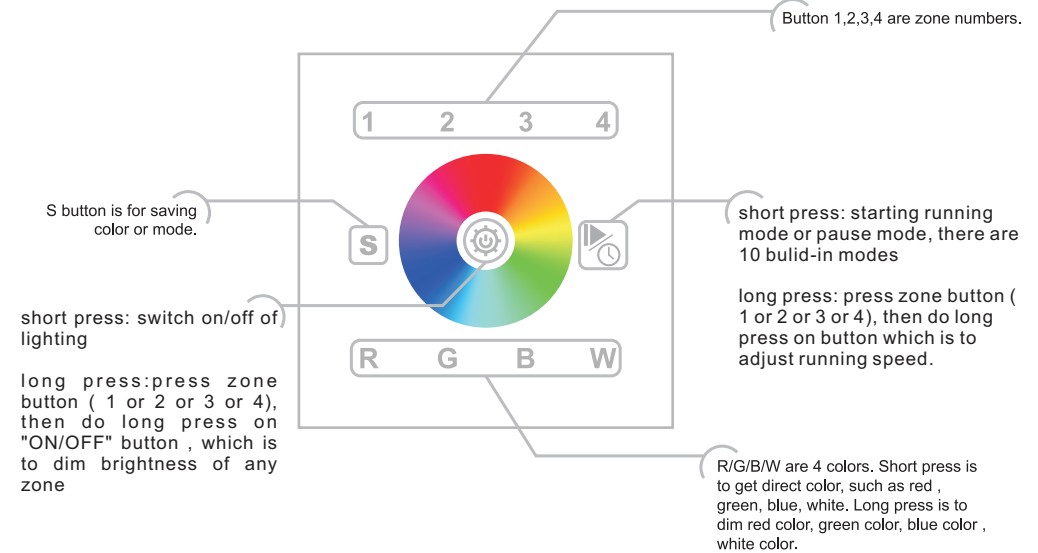
Product Size



Installation

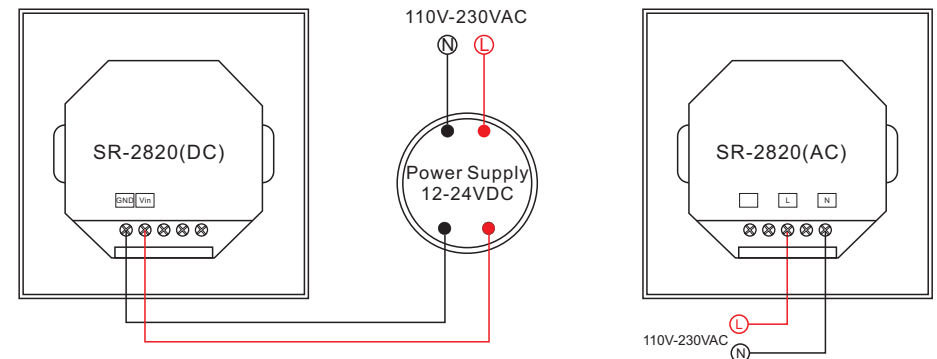


Button introduction

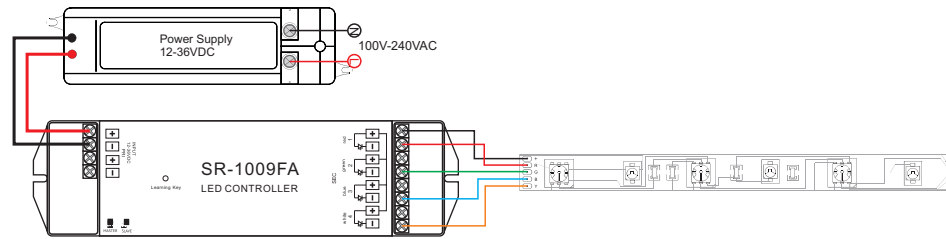


Wiring diagram

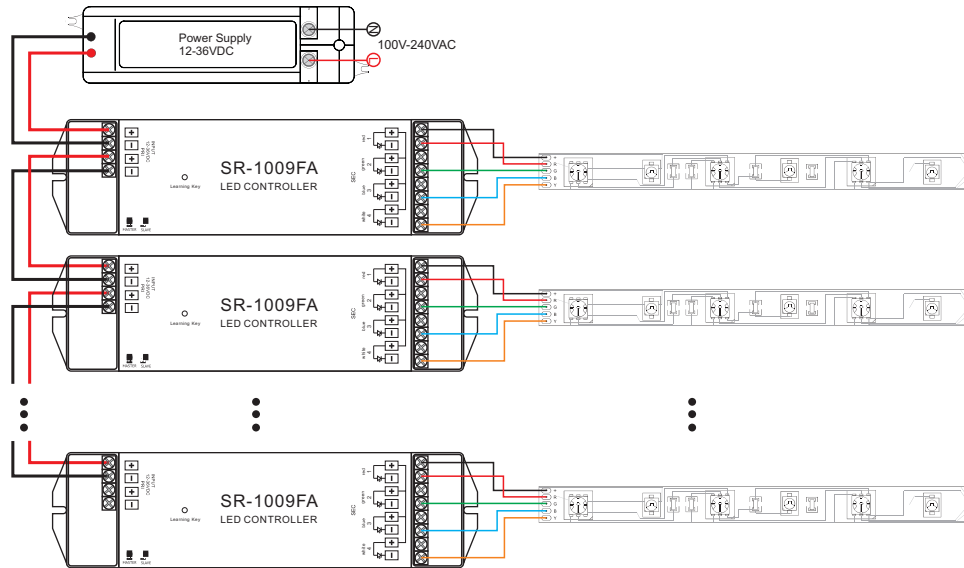
1)Sender Connection Diagram



2) Receiver Connection Diagram for Single Unit



3) Receiver Connection Diagram for Multiple Units



Operation

1. Do wiring according to connection diagram

2. Learning process

- Wake up the panel by touching ON/OFF button.
- Press at learning button on receiver.
- Touch any zone button on panel.
- Then touch color wheel.
- Connected LED light will blink to confirm zone designation.
- Press at learning button on receiver over 5 seconds until LED light flash, then delete the learned ID.

Note: To choose a master from slaves by jumper for each zone.

Short circuit for master.

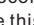
Open circuit for slave.

Each zone only can set 1 slave to be master. After a period of time, the master will do synchronization operation to keep the same color or mode of all slaves in one zone.

3. how to save color or mode

Button can save the color from mode or save color when you touch color wheel.

In "S" button, it saved "R/ G/ B" 3 colors in default. But with your operation, you can save another 3 colors replace those R/G/B colors.

Press any zone button----> choose a favorite mode/color----> press S button over 3 seconds(the indicator on wall controller will be with blue and pink mixed, like this ) ,when indicator color like this, immediately press 1, light will flash. means save the first scene. each zone can save 4 color/mode, for example one customer like red, pink, green, purple, want to save them : press zone, touch color wheel choose red, press S 3 seconds, press 1, connected lightings will flash, means save red into 1; touch color wheel again, choose pink, press S 3

seconds, press 2, connected lightings will flash, means save red into 2; repeat above action, save green to 3, save purple to 4, then how to recall them, just need short press S, press 1 will show red, short press S, press 2 will show pink, short press S, press 3 will show green, short press S, press 4 will show purple.

Safety & Warnings

- The product shall be installed and serviced by a qualified person.
- IP20. Please avoid the sun and rain. When installed outdoors, please ensure it is mounted in a water proof enclosure.
- Always be sure to mount this unit in an area with proper ventilation to avoid overheating.
- Please check if the output voltage of any LED power supplies used comply with the working voltage of the product.
- Never connect any cables while power is on and always assure correct connections to avoid short circuits before switching on.
- Please ensure that the cable is secured tightly in the connector
- For update information please consult your supplier.

Warranty Agreement

1) We provide lifelong technical assistance with this product:

- 3-year warranty. We print date on every products, for example : 1125 means year 2011, week 25. The warranty is for free repair or replacement and covers manufacturing faults only.

- For faults beyond the 3-year warranty we reserve the right to charge for time and parts.

2) Limited Warranty

- Any defects caused by wrong operation.

- Any damages caused by unauthorized removal, maintenance, modifying, incorrect connection and replacement of chips.

- Any damages due to transportation, vibration etc. after purchase.

- Any damages caused by earthquake, fire, lightning, pollution and abnormal voltage.

- Any damages caused by negligence, inappropriate storing at high temperatures and humidity or near harmful chemicals.

- Product has been updated

3) Repair or replacement as provided under this warranty is the exclusive remedy to the customer.