

# REACTIVO



## Controls over

REACTIVO App	Easy way to search and control all Reactivo controllers on your network. Simple search feature. Quick access to web interface.
REACTIVO Software	Enables you to customize and program LED strips. Screen Grabber <b>Effect, Solid Color Effect, User-friendly strips settings environment.</b>
Art-Net™	Communication lighting protocol for transmitting DMX signals over Ethernet
Stand-alone	<b>Play effects and animations stored on the SD card</b>
External trigger	switch, buttons, light sensor etc.

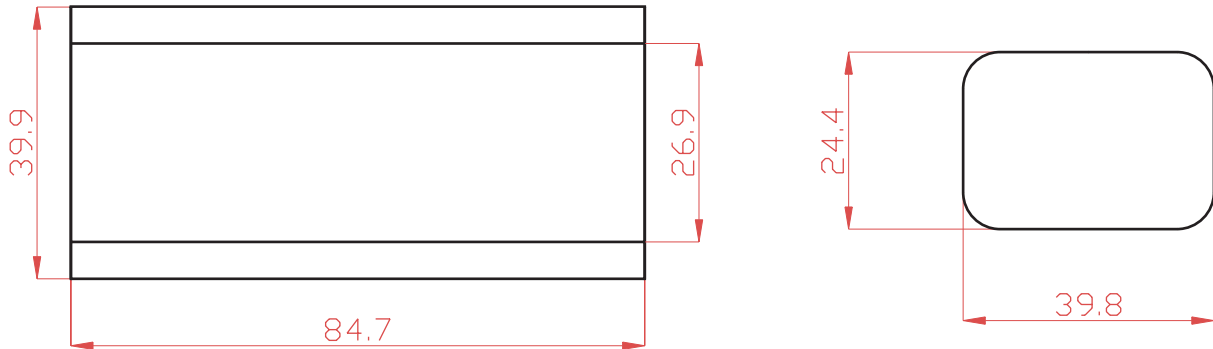
## Technical specification

Maximum of LEDs	1024 RGB / 768 RGBW
SPI LED Outputs	1
Required power	1W (controller only, without the LED strips / LED pixels)
Voltage	5V-24V
Maximal current	7A
Power connector	DC jack 5.5mm/2.1mm
SPI OUT connector:	pluggable terminal block with 3.5mm contact spacing e.g. 15EDGRC-3.5-04P
Trigger inputs:	2x analog trigger input 0-3.3V with internal 12k pull-ups
Trigger input connector	4-pin pitch 1.5mm JST ZH compatible
Wired Ethernet	RJ-45 connector, 10/100 Mbps, Auto-MDIX
Wireless Ethernet	2.4Ghz Wi-Fi 802.11 b/g/n
SD Card	Micro SD Card (FAT32, up to 32GB)
Dimension	85x40x25mm

## Applications

- General illumination
- Decoration illumination
- Events, lounges, clubs
- Scenography
- Theatre
- Light show
- **Special effects**
- Showcase

## Dimensions



## Pinout scheme

