

RF to DMX

Model:SR-2815



Feature

- High sensitive & high stable touch color wheel, fast & precise color control.
- Enable to control 10 zones separately. Each zone can switch on/off separately. Changing modes of 10 zones can be synchronized without any confusion.
- 10 changing modes. Enable to stay at any color under situation of color changing modes.
- Adjustable changing speed with 8 levels, quickest speed is 4S, slowest speed is 256S.
- Controlling RGBW or RGBY 4 colors that achieve more selectable colors than traditional RGB control.
- To adjust brightness of each color independently that can achieve millions of changing colors.
- Use with SR-2806/ SR-2804/ SR-2809.
- Memory function, remember the last last color/scene

Product introduction

2815 DMX Master is DMX signal output to connect DMX decoders. All of the DMX decoders could be remote controlled by the remote SR-2806 or SR-2809 or SR-2804.

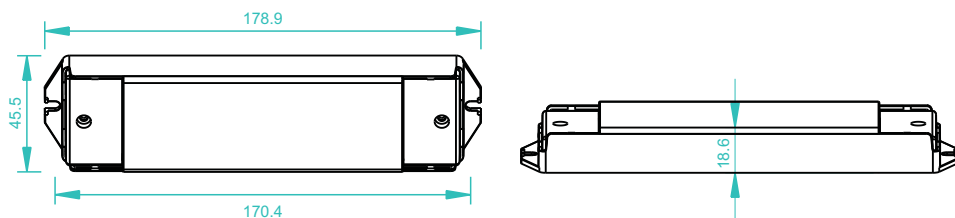
There are display board and button on the DMX decoders that we could set addresses.

This DMX master suit for any DMX decoders want to be remote controlled.

Parameter

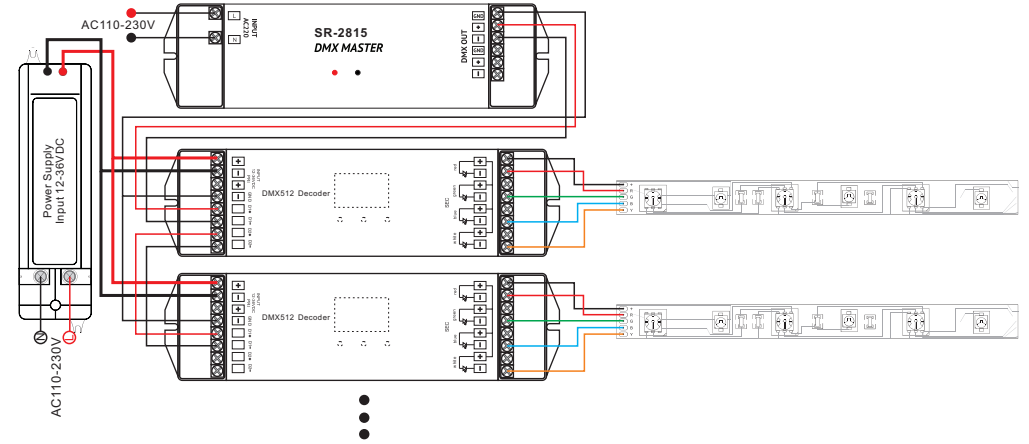
Part No.	Operation Voltage	Output	Remarks	DIMENSIONS ø/h (mm)
SR-2815DMX1	110-220VAC	DMX512 Signal	Match SR-2806	46x178x18
SR-2815DMX2	110-220VAC	DMX512 Signal	Match SR-2804 & SR-2809	46x178x18

Product Size

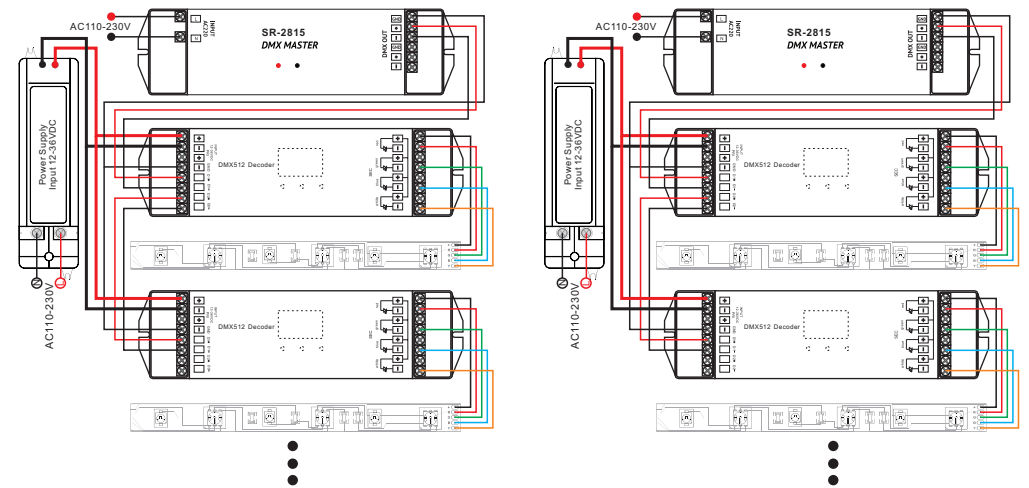


Wiring diagram

1) Connection Diagram for Single Unit SR-2815



2) Connection Diagram for Multiple Units SR-2815



SR-2806



SR-2809



SR-2804

SR-2815DMX1 matches with SR-2806

SR-2815DMX2 matches with SR-2809 & SR-2804

Operation

Learning ID by remote

You need pair the master and remote by pressing the Learning Key ,the led signal light would on,then choose the Zone No and touch color wheel ,The signal light will blink once ,signify that your master and remote are paired.

Set the address

All the decoders set address to 001.

Note:If you have multiple zones to control,you need choose multiple SR-2815 .One SR-2815 only can be learned to one zone.

SR-2806 has 10 zones,so we could control 10pcs SR-2815 individually,each SR-2815 could connect countless dmx decoders

SR-2809 has 2 zones,we could control 2pcs SR-2815 individually,each each SR-2815 could connect countless dmx decoders.

SR-2804 has 1 zone,we only can control 1 piece SR-2815,one SR-2815 could connect countless dmx decoders.

Safety & Warnings

- 1) The product shall be installed and serviced by a qualified person.
- 2) IP20.Please avoid the sun and rain. When installed outdoors, please ensure it is mounted in a water proof enclosure.
- 3) Always be sure to mount this unit in an area with proper ventilation to avoid overheating.
- 4) Please check if the output voltage of any LED power supplies used comply with the working voltage of the product.
- 5) Never connect any cables while power is on and always assure correct connections to avoid short circuits before switching on.
- 6) Please ensure that the cable is secured tightly in the connector
- 7) For update information please consult your supplier.

Warranty Agreement

1) We provide lifelong technical assistance with this product:

- 3-year warranty. We print date on every products, for example :1125 means year 2011,week 25.The warranty is for free repair or replacement and covers manufacturing faults only.

- For faults beyond the 3-year warranty we reserve the right to charge for time and parts.

2) Limited Warranty

- Any defects caused by wrong operation.

- Any damages caused by unauthorized removal, maintenance, modifying, incorrect connection and replacement of chips.

- Any damages due to transportation, vibration etc. after purchase.

- Any damages caused by earthquake, fire, lightning, pollution and abnormal voltage.

- Any damages caused by negligence, inappropriate storing at high temperatures and humidity or near harmful chemicals.

- Product has been updated

3) Repair or replacement as provided under this warranty is the exclusive remedy to the customer.