

## RF to 4 Channel 0-10V LED Dimmer

Model No.: L4-M

AC or DC input/4 channel 0-10V signal output/Wireless remote control



FC CE RoHS LVD RED

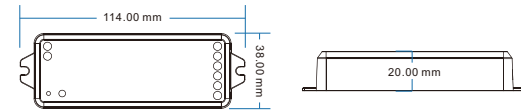
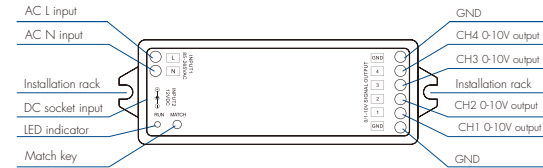
### Features

- RF to 4 channel 0-10V converter, powered by AC or DC input.
- Output 4 channel 0-10V signal, connect with 0/1-10V dimmable driver.
- 256 levels 0-100% dimming smoothly without any flash.
- Match with Skydance's 2.4G single color, dual color and RGB/RGBW remote control.
- One RF controller accept up to 10 remote control.
- Auto-transmitting function: Controller automatically transmit signal to another controller with 30m control distance.
- Synchronize on multiple number of controllers.

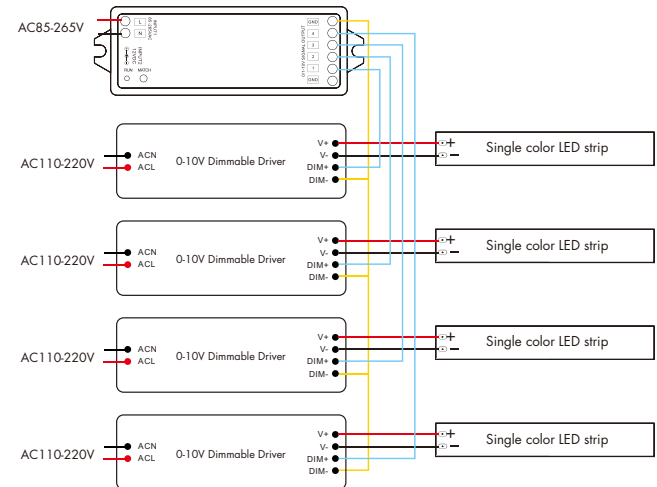
### Technical Parameters

Input and Output		Dimming data	
Input voltage	85-265VAC 12VDC	Input signal	RF 2.4GHz
Output signal	4 x 0/1-10VDC	Control distance	30m(Barrier-free space)
Output current	4CH,20mA/CH	Dimming range	0-100%
		Dimming curve	linear
Safety and EMC		Environment	
EMC standard (EMC)	EN301 489,EN 62479	Operation temperature	Ta: -30°C ~ +55°C
Safety standard(IVD)	EN60950	Case temperature (Max.)	Tc: +85°C
Radio Equipment(RED)	EN300 328	IP rating	IP20
Certification	CE,EMC,IVD,RED		
Warranty and Protection		Weight	
Warranty	5 years	Net weight	0.560kg
		Gross weight	0.068kg

### Mechanical Structures and Installations



### Wiring Diagram



#### Note:

1. User can connect AC85-265V power or DC12-24V power adapter as power input.
2. We recommend the number of LED drivers connected to each 0/1-10V output does not exceed 5 pieces, The maximum length of the wires from dimmer to LED driver should be no more than 1.5 meters.

## Match Remote Control (two match ways)

End user can choose the suitable match/delete ways. Two options are offered for selection:

### Use the controller's Match key

#### Match:

Short press match key, immediately press on/off key (single zone remote) or zone key (multiple zone remote) of the remote.

#### Delete:

Press and hold match key for 5s to delete all match, The light blinks 5 times means all matched remotes were deleted.

### Use Power Restart

#### Match:

Switch off the power, then switch on power again, immediately short press on/off key (single zone remote) or zone key (multiple zone remote) 3 times on the remote. The light blinks 3 times means match is successful.

#### Delete:

Switch off the power, then switch on power again, immediately short press on/off key (single zone remote) or zone key (multiple zone remote) 5 times on the remote. The light blinks 5 times means all matched remotes were deleted.

## Available remote controller



RS6  
4 Channel Dimming



RT1  
1 Zone Dimming



RT6  
4 Zone Dimming

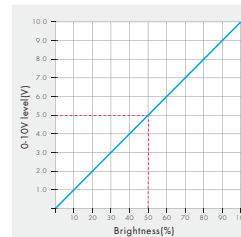
### If you use one receiver, you have two choices:

- Option 1: Match with RS6 4 channel dimming remote, 4 channel 0-10V signal can be controlled independently.
- Option 2: Match with RT1 one zone dimming remote, 4 channel 0-10V signal can be controlled synchronously.

### If you use multiple receivers, you have two choices:

- Option 2: Match with RT1 one zone dimming remote, multiple receivers can be controlled synchronously, and 4 channel 0-10V signal of each receiver are same.
- Option 2: Match with RT6 four zone dimming remote, each receiver(one or more) in a different zone.

## Dimming curve



#### Note:

When the output channel is off, the output dimming signal is 0V.  
Please read the dimming section of the 0/1-10V dimming driver manual.  
If the dimming characteristic curve is the same as below, it will not be able to turn off the lights, you need select other models of 1-10V dimmer which have AC OUT function.

