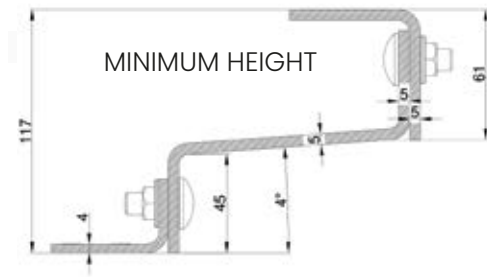
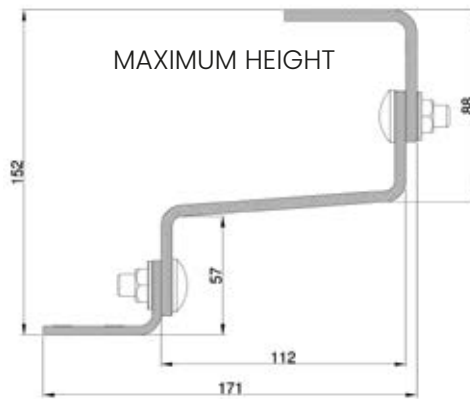
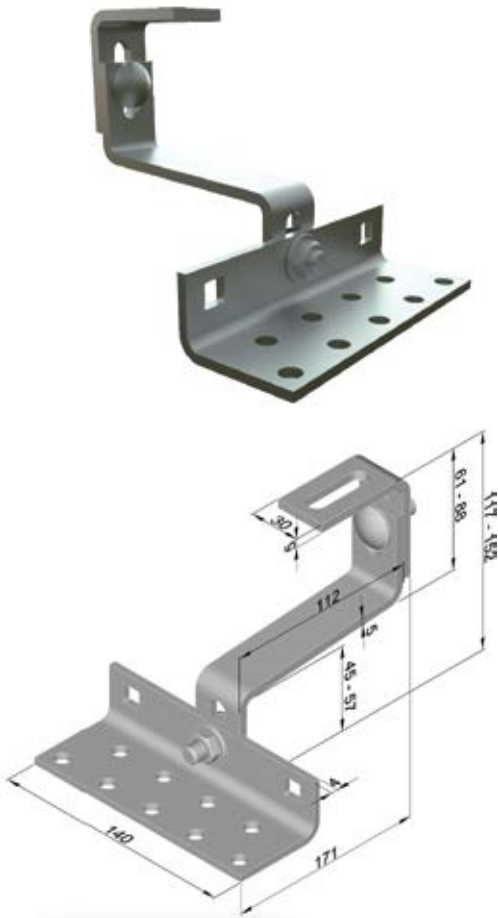




## PRODUCT DESCRIPTION

The fastening allows to make a complete system support for any quantity of PV panels on a ceramic or concrete roof tiling.

Making the handle with stainless steel allows to be used in places exposed to weather conditions.



Attach the hook holder to roof slope with bolts and nuts



Mount the PV profile to the holder hook using metric bolt



Use a flange nut serrated to connect profile with a handle



Match the solar panel to construction, it can be installed vertically or horizontally



Use the end clamp and use it to attach the panel to the structure, screw the clamp with an allen screw and square nut



Repeat all steps to install as many panels as you need



## TECHNICAL SPECIFICATIONS

Material: H17 stainless steel

Ductility limit:  $R_e=260$  MPa

Fastening: vertical

Given values are not actual installation conditions and require estimates.

### Advantages:

- Easy and quick installation
- Many available handle lengths for all tiles available on the market
- High corrosion resistance

## LOAD ON THE ROOF

