

Touch Sensing Switch

- Concealed touch sensing switch, constant voltage output, connect with low voltage LED strip.
- Dupont male jack in, dupont female jack out.
- Maximum 2.5A output current, maximum power 60W@24V.
- Light on/off and brightness adjustment by touch sensor head, brightness range: 0-100%.
- 4 PWM frequencies selectable: 125Hz, 500Hz, 2000Hz (default), 8000Hz.
- Bilateral snap design for easy installation.
- Used for lighting cabinets, closets, wine cabinets and more.

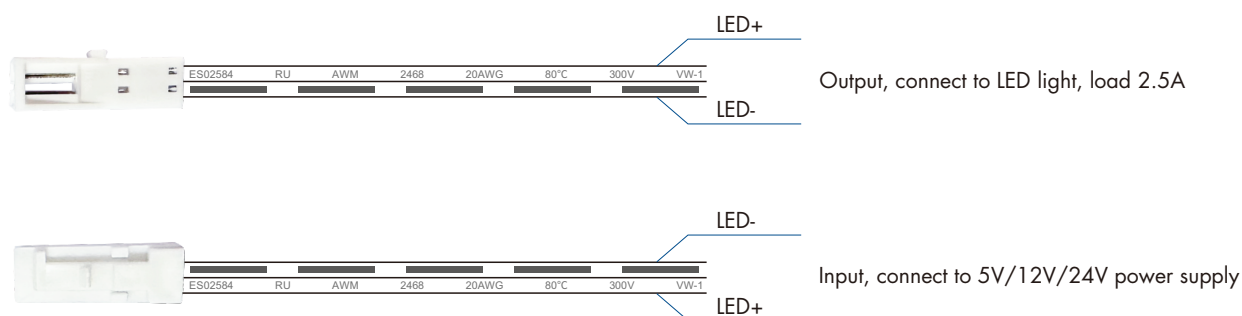


CE RoHS

Technical parameters

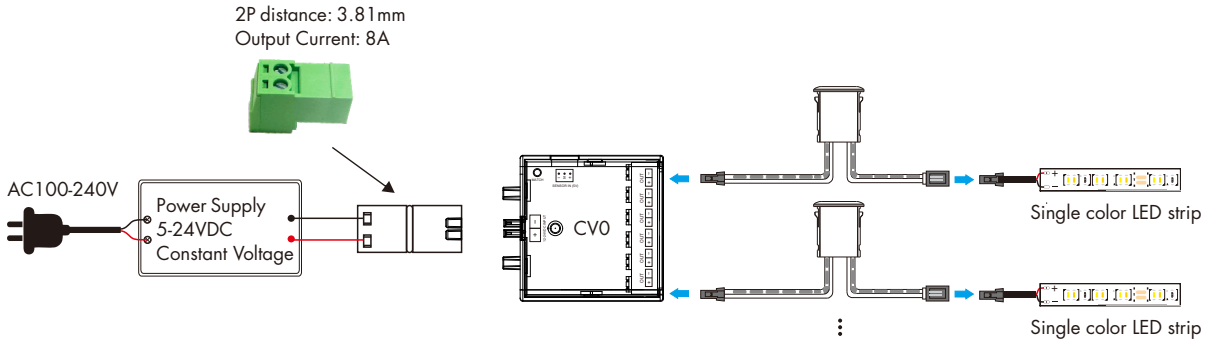
Input and Output		Environment		Safety and EMC	
Input voltage	5-24VDC	Operation temperature	Ta: -30°C ~ +50°C	EMC standard	EN IEC 55015:2019+A11:2020
Output voltage	5-24VDC	Protection	Reverse polarity		EN 61547:2023
Output current	Max 2.5A	Package		Safety standard	EN IEC 61000-3-2:2019+A1:2021
Output power	12.5-60W	Size	L80xV45xH30mm		EN 61000-3-3:2013+A1:2019
PWM frequency	125Hz,500Hz,2KHz (default),8KHz	Gross weight	0.027kg	Certification	EN 61347-1:2015+A1:2021
					EN 61347-2-13:2014+A1:2017
					CE

Mechanical structures

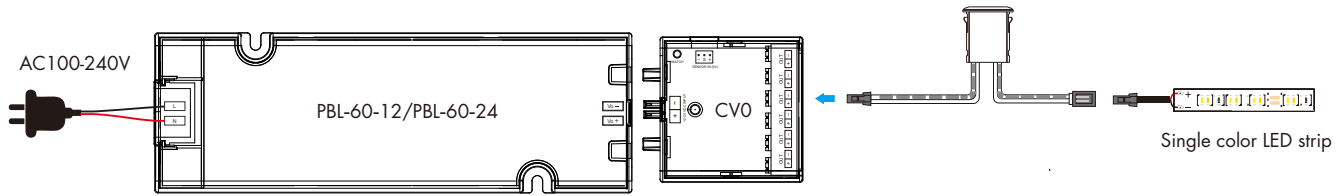


Wiring diagram

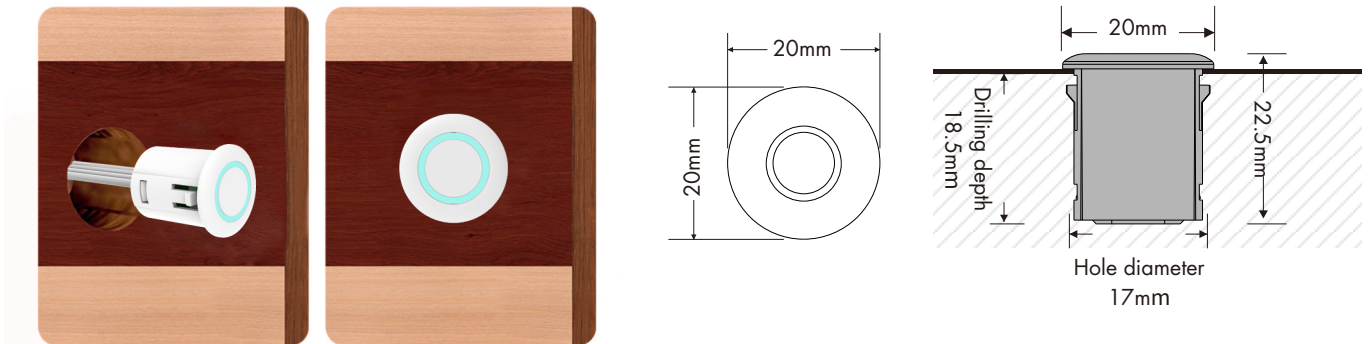
- Power supply with constant voltage power supply + junction box



- Power supply using cabinet constant voltage power supply + junction box

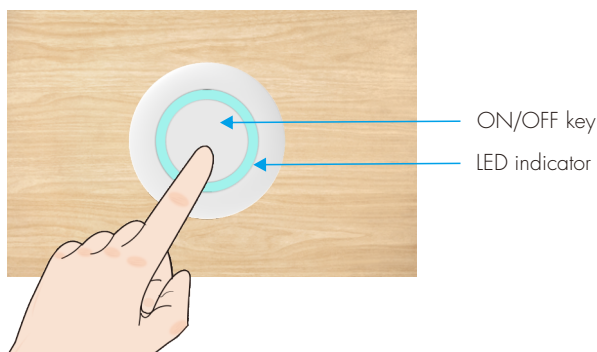


Sensing switch installation



1. Make 17mm diameter hole.
2. Place the sensing switch into the hole.

Sensing switch application



Short touch to turn on or turn off light; long touch 1-6s to dimming up or down.

PWM frequency setting: within 3s after the sensing head is powered on.

Press the ON/OFF key 3 times in quick succession, the PWM frequency is set to 125Hz, the indicator light blinks 1 time;

Press the ON/OFF key 4 times in quick succession, the PWM frequency is set to 500Hz, the indicator light blinks 2 time;

Press the ON/OFF key 5 times in quick succession, the PWM frequency is set to 2000Hz, the indicator light blinks 3 time;

Press the ON/OFF key 6 times in quick succession, the PWM frequency is set to 8000Hz, the indicator light blinks 4 time.