

## DALI CS Corridor



### Datasheet

#### Combi Sensor Module

DALI sensor module for  
presence detection and  
lighting control

Art.Nr. 86459432

Art.Nr. 86459432-IP65

# DALI CS Corridor Combi Sensor Module

## Overview

- Sensor module for DALI lighting systems
- Movement detection (PIR)
- Light intensity measurement
- Constant light control
- Time hysteresis to compensate for short-term fluctuations in brightness
- Setting option for basic brightness
- Simple configuration via DALI bus line using the DALI Cockpit PC software tool
- Direct power supply via DALI line
- Version for indoor and outdoor use IP65
- Multimaster capable: several DALI CS modules can be used within one DALI-line

## Specifications, Characteristics

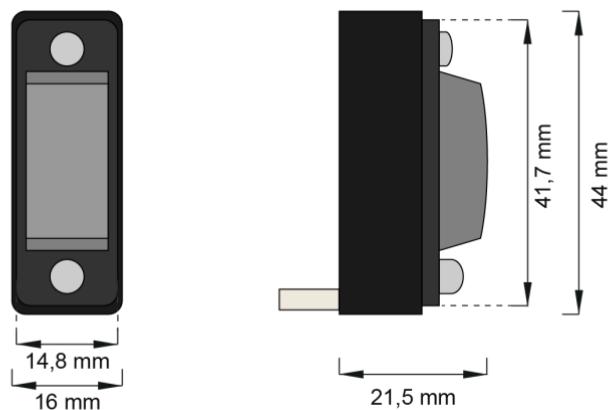
Type	DALI CS Corridor	DALI CS Corridor IP65
Article number	86459432	86459432-IP65

### Electrical Data:

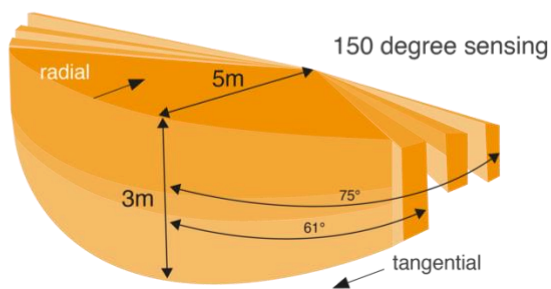
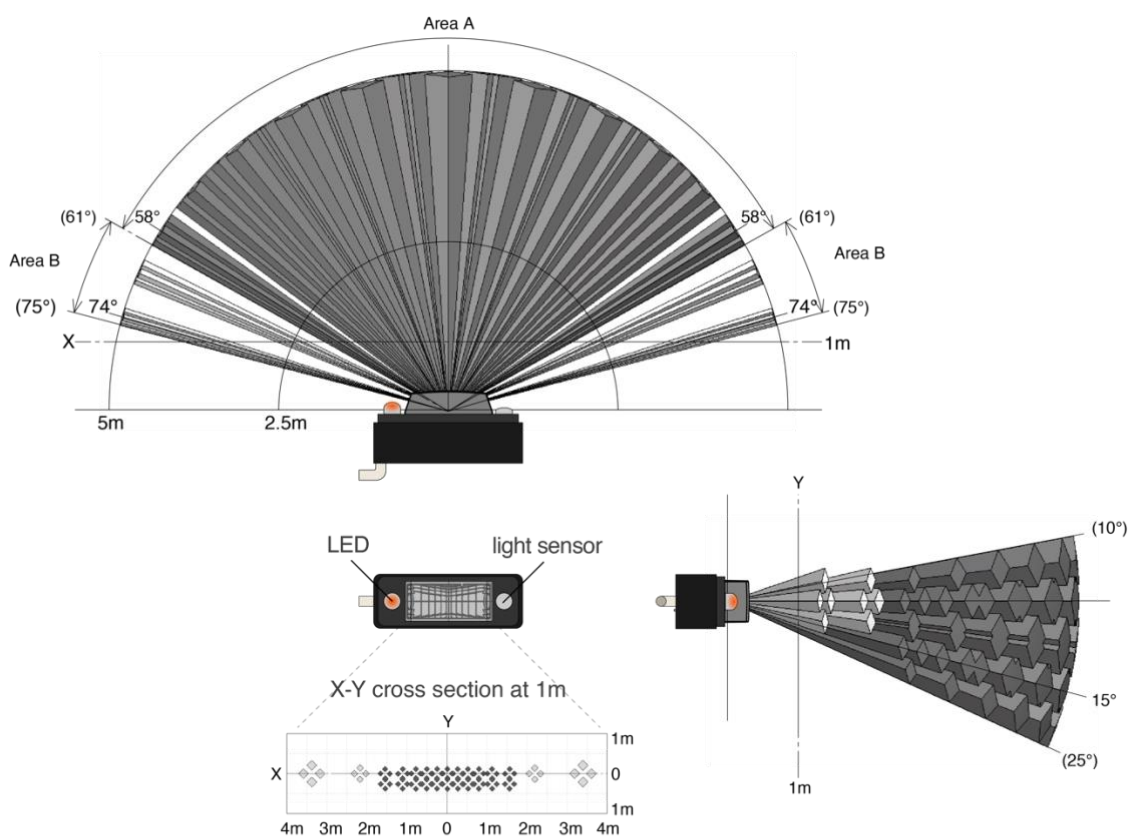
Power supply	Via DALI line
Typ. Current consumption on DALI line	3.5 mA
Input / Output	DALI

### Technical DATA

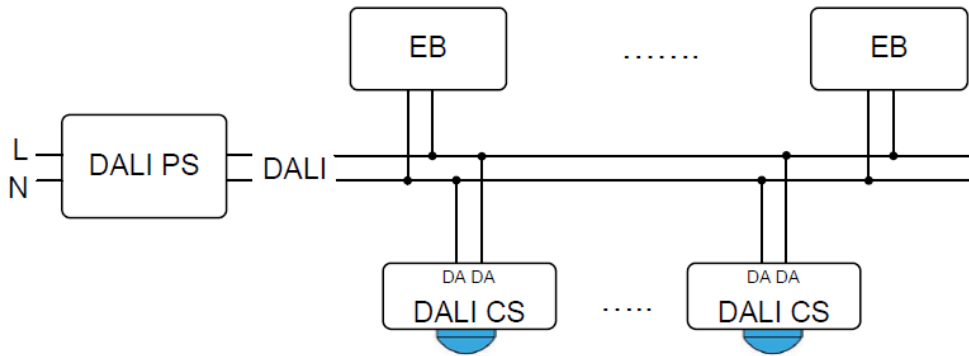
Motion sensor type	PIR	
Lens	Hammerhead	
Max. detection area	5m	
Zones	88+16	
Detection angle	horizontal: ±75°; vertikal: +10°/-25°	
Min. Temp. difference:	>4°C	
Light sensor	range: 0-2500lux resolution: 1lux	
Function	configurable	
Ambient temperature	-20°C-70°C	
Protection class	IP20	IP65
suitable ambient	indoor	outdoor
mounting	surface	
Connection cable length	350mm	
housing size	44x16x21,5mm	



Dimensions sensor head



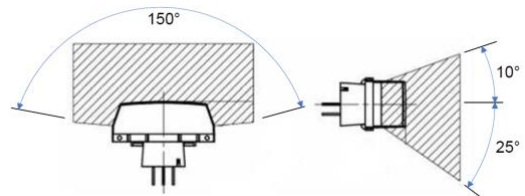
Detection area: Horizontally Wide Detection type



Typical application: multiple sensors in one DALI line

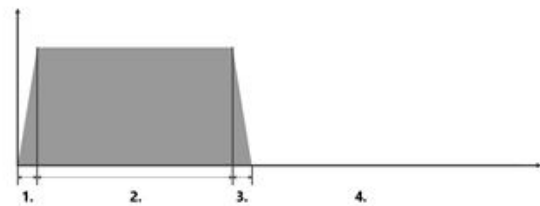
## Mounting and installation

- The DALI CS Corridor module is connected to the DALI line. It is powered directly by the DALI signal line (that is supplied by an adequate bus power supply like the DALI PS). A typical value for the current consumption is 3.5mA.
- The DALI line input is polarity free and protected against overvoltage.



### Cycle of movement detection

The motion detection is always processed according to the following schedule:



Procedure motion detection

States:

- 1: Fade In Time
- 2: Hold On Time
- 3: Fade Time
- 4: Basic Brightness

If motion is detected the sensor switches the "to be controlled area" to the defined light level. As long as movement is detected or the hold-on time is running (2), the light level

## Motion detection

A temperature difference between the moving object and environment of at least 4°C is required. Heat sources such as heaters or copy machines may have a negative influence on the motion detection.

### Sensing range

The DALI CS Corridor has a "hammerhead lens" with a detection range of up to 5m and an asymmetrical alignment. The horizontal detection angle is up to 150°, while the vertical is asymmetrical (+ 10°, -25°). The lens is particularly recommended for wall mounting e.g. in corridors.

stays on, either at a fixed brightness value or controlled by a constant light control algorithm (selectable in DALI Cockpit Software).

After this state has elapsed, the system switches to the basic brightness value (fixed value, no constant light control).

States 1 and 3 only describe transitions between the states.

## Light sensor

### **Light measurement**

The CS Corridor module also has a light sensor included. The light sensor measures the reflected illuminance in a range from 0 to 2500 lux. The resolution is 1 lux.

The incident light is assessed using the spectral light sensitivity curve of the human eye and thus comparable to the subjective visual perception of brightness.

## Combined sensor behaviour

In order to take the influence of fluctuations in ambient light into account there are two methods available: time hysteresis and basic brightness. This means that the dependencies between the time sequence and brightness can be defined.

### **Basic brightness**

If the current brightness is above a defined threshold, the lighting is switched off; If it is lower, it is switched on to an alternative dimming value.

### **Time hysteresis**

Light is only switched if the brightness value is above or below the brightness threshold value for a defined time.

## Factory pre-sets

Effective Range	Broadcast
On Command	DAP 100%, without Fading
Hold On Time	5min
Basic Brightness	0%
Brightness Threshold	100lux
Constant Light Control	Off; operating mode: movement triggered light control
Time Hysteresis:	1min
Front-LED	deactivated

## Purchase Order Information

**Art.Nr. 86459432:** DALI CS Corridor, wide range sensor module (motion/brightness), black, luminaire build in, 44x16x21,5mm

**Art.Nr. 86459432-IP65:** DALI CS Corridor, wide range sensor module (motion/brightness), potted for **outdoor use**, black, luminaire build in, 44x16x21,5mm

## Additional Information and Equipment

DALI-Cockpit – free configuration tool from Lunatone for DALI systems

<https://www.lunatone.com/en/product/dali-cockpit/>

Lunatone DALI products

<http://www.lunatone.com/en/>

Lunatone datasheets and manuals

<https://www.lunatone.com/en/downloads-a-z/>

## Contact

Technical Support: [support@lunatone.com](mailto:support@lunatone.com)

Requests: [sales@lunatone.com](mailto:sales@lunatone.com)

[www.lunatone.com](http://www.lunatone.com)



## Disclaimer

Subject to change. Information provided without guarantee.  
The datasheet refers to the current delivery.

The function in installations with other devices must be tested  
for compatibility in advance.