



**item number :09217/04/30**

EAN code : 5411212091994

**item number :09217/04/31**

EAN code : 5411212091895

**item number :09217/04/36**

EAN code : 5411212091901



### RECOMMENDED LUCIDE LIGHT SOURCE

**49026/03/31**

Light source dimmable : Yes

Light source incl. : Yes

### General

**Dimensions LxWxH :** 9.7cm x 9.7cm x 9.7cm

**Height maximum :** 9.7cm

**Dimensions shade LxWxH :** N/A

**Main material :** aluminium

**Ceiling rose material :** aluminium

**Color :** Black/GOLD , Sand White , DARK GREY

**Style :** Modern

**Shape :** square

**Weight :** 0.52kg

**Warranty :** 2 years

### Product specifications

**Dimmable :** Yes

**Light direction :** up and down

**Adjustable in height :** NO

**Directional :** Yes

**Cable :** Without Cable

**Cable length :** N/A

**Sensor :** Without Sensor

**Control :** Light Switch Control

**IP-Class :** IP20

**Electric class :** 1

**Light source including ?:** Yes

**Lamp socket :** G9

**Light source number :** 1

**Power requirements :** 220-240V~50Hz

**Bulb type & maximum wattage :** G9 LED 3.5W

For more specifications of this product please visit

[www.lucide.com](http://www.lucide.com)

# XIO

Item number : 09217/04/30

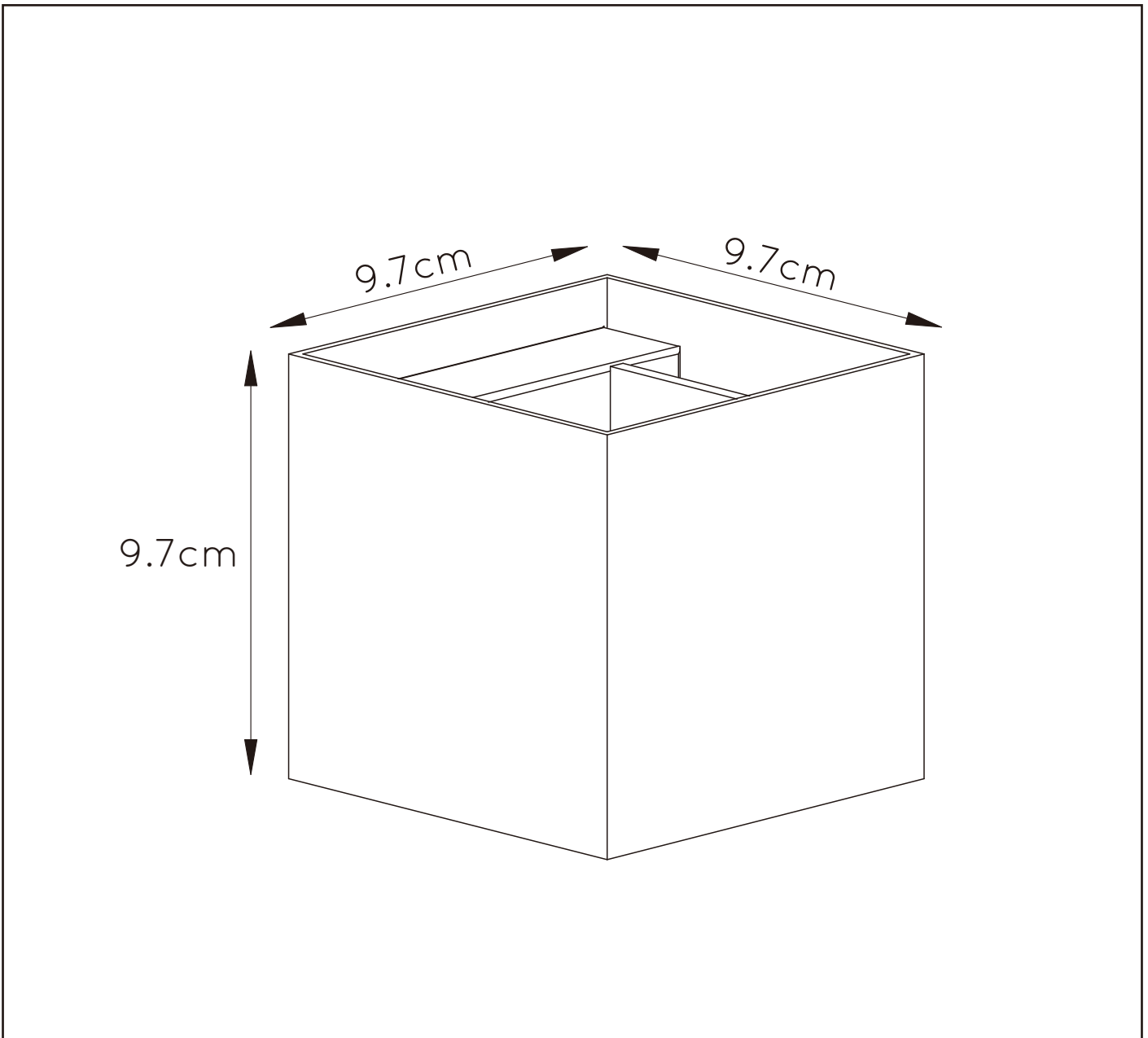
EAN code : 5411212091994

Item number : 09217/04/31

EAN code : 5411212091895

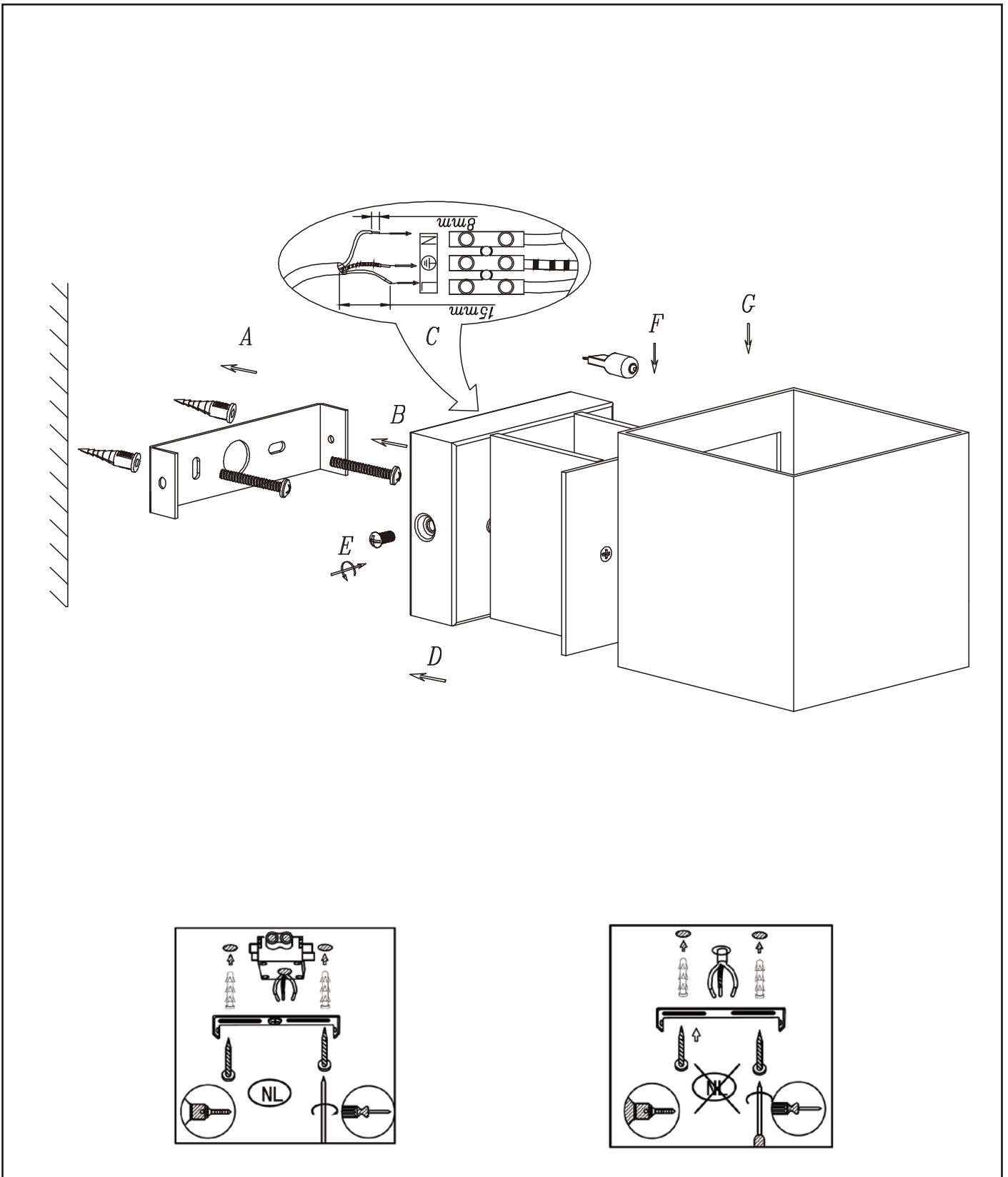
Item number : 09217/04/36

EAN code : 5411212091901



# LUCIDE

## INSTALLATION DRAWING SPECIFICATIONS



Dit product bevat een lichtbron van energie-efficiëntieklasse A++  
 Ce produit contient une source lumineuse de classe énergétique A++  
 This product contains a light source of energy efficiency class A++  
 Dieses Produkt enthält eine Lichtquelle der Energieeffizienzklasse A++  
 Ten produkt zawiera ród o wiat a o klasie efektywno ci energetycznej A++